



INTERPUMP GROUP

66

S
E
R
I
E
S

I
GB
F

ISTRUZIONI D'USO
INSTRUCTIONS FOR USE
MODE D'EMPLOI

D
E
P

BEDIENUNGSANLEITUNG
INSTRUCCIONES DE USO
INSTRUÇÕES DE USO



Questo manuale deve essere letto e compreso in accordo al libretto generico "Istruzioni d'uso e manutenzione".

This manual must be read and followed in accordance with the generic "Instructions for Use and Maintenance" booklet.


Ce manuel doit être lu et compris en accord avec la notice générale " Mode d'emploi et d'entretien ".

Dieses Handbuch ist in Verbindung mit dem allgemeinen Handbuch " Gebrauchs- und Wartungsanleitung " zu lesen und zu verstehen.

Este manual debe leerse y comprenderse de acuerdo con el manual general "Instrucciones de uso y mantenimiento"

Este manual deve ser lido e interpretado de acordo com o livro genérico "Instruções de uso e manutenção"

Type Type Type Tipo	Flow rate Débit Förderstrom Caudal Portata		Pressure Pressione Druck Presion Pressione			rpm t/m upm r/m g/m	Power Puissance Leistung Potencia Potenza		Weight Poids Gewicht Peso Massa		
	l/min	gpm	bar	MPa	psi		Hp	kW	Kg	Ibs	
W4015 (*)	15	3.96	400	40	5800	1450	15.0	11.02	19.5	42,9	1.0
W5015 (*)	15	3.96	500	50	7250	1450	20.0	14.70	19.5	42.9	1.0
W3018	17.6	4.64	300	30	4350	1450	14.0	10.43	18.5	40.7	1.0
W4018	18	4.75	400	40	5800	1450	20.0	14.70	19.5	42,9	1.0
W4518	18	4.75	450	45	6525	1450	21.0	15.44	19.5	42,9	1.0
W5018	18	4.75	500	50	7250	1450	24.0	17.40	19.5	42.9	1.0
W3021 (*)	21	5.54	300	30	4350	1450	16.0	11.76	18.5	40.7	1.0
W3521 (*)	21	5.55	350	35	5075	1450	20.0	14.70	19.5	42.9	1.0
W4021 (*)	21	5.55	400	40	5800	1450	22.0	16.17	19.5	42.9	1.0
WK5021	21	5.55	500	50	7250	1450	28.0	20.59	21.5	46.2	1.0
W3523	23	6.07	350	35	5075	1450	20.0	14.70	19.5	42.9	1.0
W2525 (*)	25	6.60	250	25	3600	1450	18.0	13.23	18.5	40.7	1.0
W3025 (*)	25	6.60	300	30	4350	1450	20.0	14.70	18.5	40.7	1.0
W2030 (*)	30	7.92	200	20	2900	1450	15.0	11.02	18.5	40.7	1.0
W2035	35	9.25	200	20	2900	1450	18.0	13.23	18.5	40.7	1.0
W2141	41	10.83	210	21	3045	1450	22.0	16.17	18.5	40.7	1.0
W1550 (*)	50	13.20	150	15	2175	1450	20.0	14.70	18.5	40.7	1.0
W1555	55	14.50	150	15	2175	1450	22.0	16.17	18.5	40.7	1.0

Type Type Type Tipo	Flow rate Débit Förderstrom Caudal Portata		Pressure Pressione Druck Presion Pressione			rpm t/m upm r/m g/m	Power Puissance Leistung Potencia Potenza		Weight Poids Gewicht Peso Massa		
	l/min	gpm	bar	MPa	psi		Hp	kW	Kg	Ibs	
W1570	70	18.50	150	15	2175	1450	27.0	19.85	22.3	49.2	1.0
WG1570	70	18.50	150	15	2175	1450	27.0	19.85	21.7	47.8	1.0
T5015	15	3.96	500	50	7250	1750	19.5	14.54	19.5	42.9	1.0
T4018 (*)	18	4.75	400	40	5800	1750	20.0	14.70	19.5	42,9	1.0
T5018 (*)	18	4.75	500	50	7250	1750	24.0	17.64	19.5	42.9	1.0
T3021	21	5.55	300	30	4350	1750	16.5	12.30	18.5	40.7	1.0
T3025 (*)	25	6.60	300	30	4350	1750	20.0	14.70	18.5	40,7	1.0
T2530 (*)	30	7.92	250	25	3600	1750	20.0	14.70	18.5	40,7	1.0
T2830 (*)	30	7.92	275	27.5	4000	1750	21.0	15.44	18.5	40,7	1.0
T2535	35	9.25	250	25	3600	1750	22.0	16.17	18.5	40,7	1.0
T2040	40	10.56	200	20	2900	1750	21.0	15.44	18.5	40,7	1.0
T1750	50	13.20	172	17.2	2500	1750	22.0	16.17	18.5	40,7	1.0

(*) - DISPONIBILE ANCHE CON DOPPIA PRESA DI FORZA

(*) - DISPONIBLE MÊME AVEC DOUBLE PRISE DE FORCE

(*) - DISPONIBLE TAMBIÉN CON EL DOBLE TOMADO DE FUERZA

(*) - AVAILABLE ALSO WITH DOUBLE POWER TAKE OFF

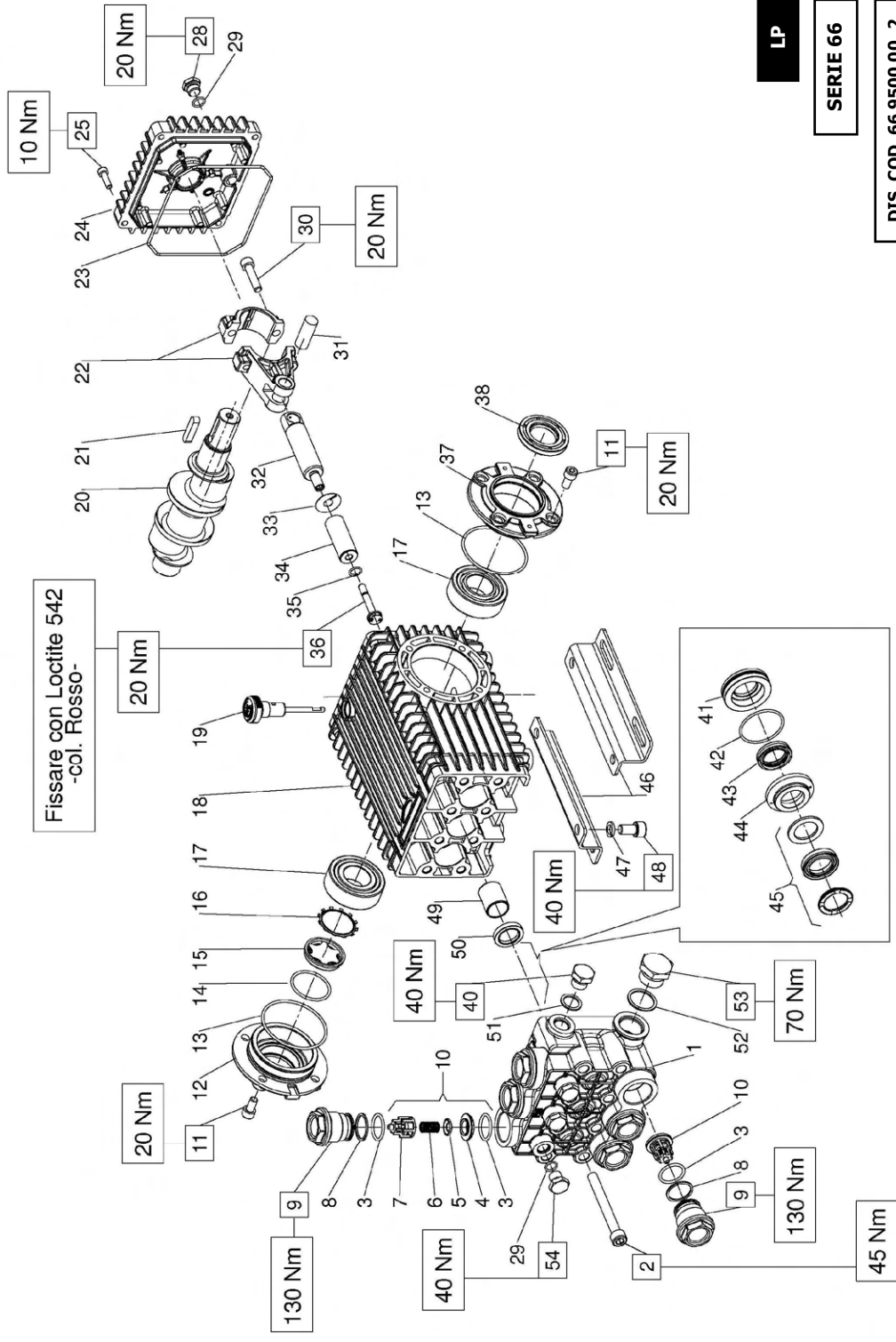
(*) - VORHANDEN AUCH MIT DEM DOPPELTEN GENOMMEN VON DER KRAFT

(*) - DISPONÍVEL TAMBÉM COM O DOBRO FEITO EXAME DA FORÇA

LP

SERIE 66

DIS. COD. 66.9500.00_2



KIT RICAMBI - SPARE KITS

KIT Nr.	KIT 2	KIT 3	KIT 169	PISTONE - PISTON D. 18		PISTONE - PISTON D. 20		PISTONE - PISTON D. 22		PISTONE - PISTON D. 24	
				KIT 180	KIT 176	KIT 171	KIT 172	KIT 173	KIT 181	KIT 182	
Posizioni inclide Positions Included	50	38	3-4 5-6 7 (10)	43-45	41-42 43-44 45	41-42 43-44 45	43-45	41-42 43-44 45	43-45	43-45	41-42 43-44 45
	3	2	6	3	1	3	3	1	3	3	1
Nr. Pcs.											

W3021 W2525 W3025 W2030 W2035 W2141 T3025 T2530 T2830 T2535 T2040 T1750 W3018 T3021
T3021

PISTONE - PISTON D. 18		PISTONE - PISTON D. 20	
W3021 T3025 W3018 T3021	W2525 W3025 T2530 T2535 T2830		
PISTONE - PISTON D. 22	PISTONE - PISTON D. 24		
W2030 W2035 T2040	W2141 T1750		

POS	COD.	DESCRIZIONE - DESCRIPTION - KIT	NR
20	66.0200.35	Albero ecc. C.19 - W2525 W2030 W3021 W3025 T2530 T3025 T2830	1
	66.0204.35	Albero ecc. C.21 - W2035 W2141 T2535 T2040 T1750	
	66.0211.35	Albero ecc. C.16 - W3018 T3021	
21	91.4892.00	Linguetta 9.0x7.0x35.0	1
22	66.0300.01	Biella completa	3
23	90.3922.00	OR D. 133.02x2.62 NBR 70SH 3525	1
24	66.1600.22	Coperchio posteriore	1
25	99.1884.00	Vite M6x20 UNI 5931	4
28	98.2042.50	Tappo G 1/4"x9 TE17 - ZInc.	1
29	90.3585.00	OK D. 10.82x1.78 NBR 70SH 2043	4
30	99.3099.00	Vite serraggio biella	6
31	97.7405.00	Spinotto D. 1.4x39	3
32	66.0500.66	Guida pistone	3
33	96.7101.00	Rosetta D. 10.0x28.0x0.5	3
	66.0403.09	Pistone D. 18x54	
	66.0400.09	Pistone D. 20x54	
34	66.0401.09	Pistone D. 22x54	3
	66.0404.09	Pistone D. 24x54	
35	90.3584.00	OK D. 10.82x1.78 NBR 90SH 2043	3
36	66.2195.66	Vite fissaggio pistone	3
37	47.1510.22	Coperchio laterale lato PTO	1
38	90.1648.00	Anello rad. D. 30.0x55.0x7.0	3
40	98.2100.00	Tappo G 3/8"x13	1
	66.0803.70	Anello di fondo D. 18	176
	66.0800.70	Anello di fondo D. 20	171
41	66.0801.70	Anello di fondo D. 22	173
	66.0804.70	Anello di fondo D. 24	182
42	90.3616.00	OK D. 34.65x1.78 NBR 70SH 2137 171 173 176 182	3

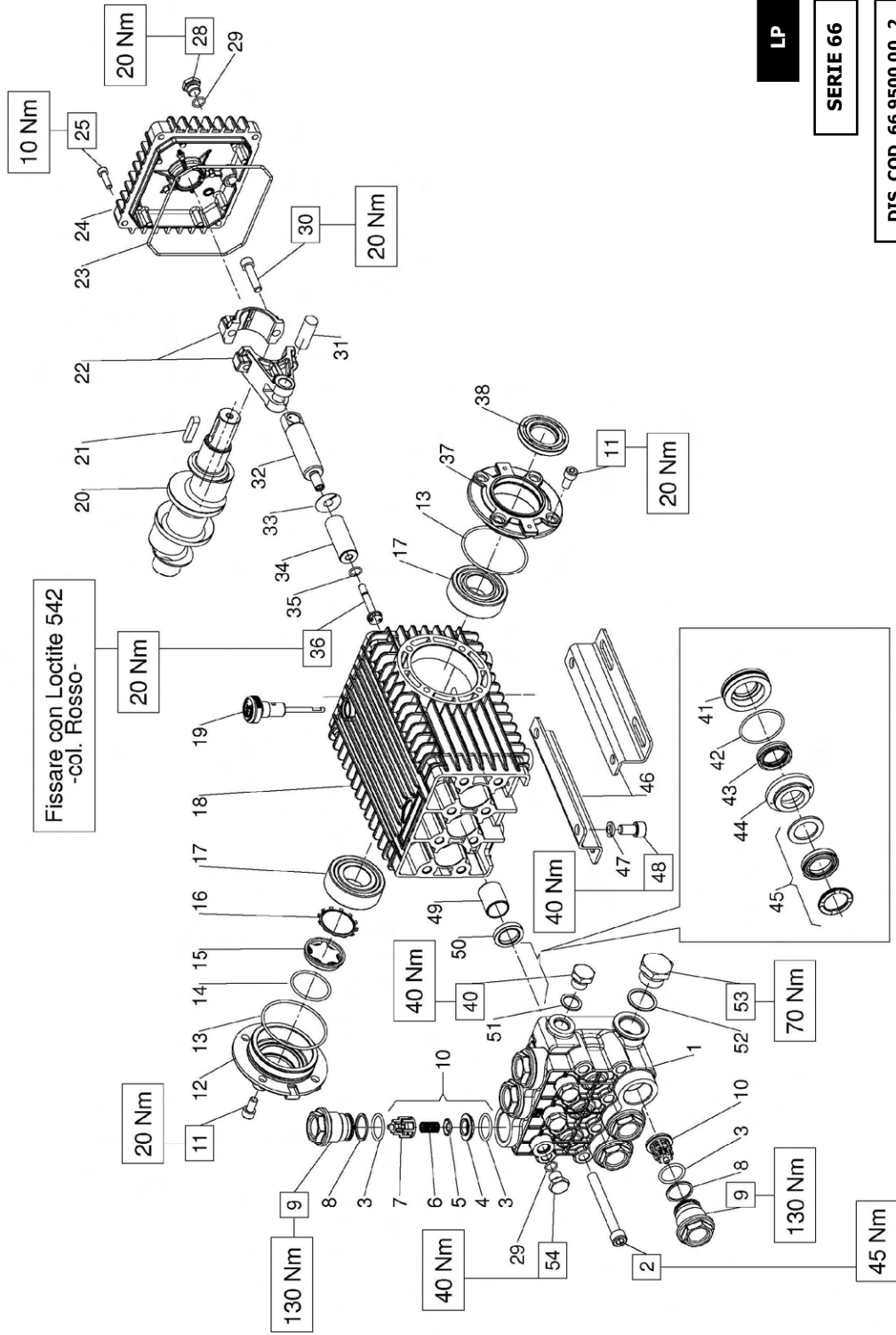
POS	COD.	DESCRIZIONE - DESCRIPTION - KIT	NR
43	90.2652.00	Anello tenuta D. 18x26x6.5 LP 180 176	
	90.2690.00	Anello tenuta D. 20x28x6.5 LP 170 171	
	90.2715.00	Anello tenuta D. 22x30x6.5 LP 172 173	3
	90.2738.00	Anello tenuta D. 24x32x6.5 LP 181 182	
44	66.2163.70	Anello intermedio D. 18	176
	66.2160.70	Anello intermedio D. 20	171
	66.2161.70	Anello intermedio D. 22	173
	66.2164.70	Anello intermedio D. 24	182
45	90.2655.00	Anello tenuta D. 18x28x10 HP 180 176	
	90.2692.00	Anello tenuta D. 20x30x10 HP 170 171	
	90.2717.00	Anello tenuta D. 22x32x10 HP 172 173	3
	90.2741.00	Anello tenuta D. 24x34x10 HP 181 182	
46	47.2000.74	Piede pompa	2
47	96.7106.00	Rosetta D. 10.2x16.0x2.5	4
48	99.3644.00	Vite M10x18 UNI 5931	4
49	90.9126.00	Boccola D. 22x25x30	3
50	90.1625.00	Anello rad. D. 22.0x32.0x5.5	2
51	96.7380.00	Rosetta D. 17.5x23.0x1.5	1
52	96.7700.00	Rosetta D. 26.5x32.0x1.5	1
53	98.2268.00	Tappo G 3/4"x16	1
54	98.2043.00	Tappo G 1/4"x13	3

POS	COD.	DESCRIZIONE - DESCRIPTION - KIT	NR
1	66.1245.41	Testata pompa D. 18	
	66.1200.41	Testata pompa D. 20	
	66.1201.41	Testata pompa D. 22	1
	66.1202.41	Testata pompa D. 24	
2	99.3801.00	Vite M10x90 UNI 5931	8
3	90.3857.00	OR D. 23.81x2.62 NBR 70SH 132 169	12
4	36.2033.66	Sede valvola sferica	169
5	36.2034.76	Valvola sferica	169
6	94.7388.00	Molla Dm. 10.0x18.5	169
7	36.2035.51	Guida valvola	169
8	90.5165.00	Anello antist. D. 24.7x29.0x1.5	6
9	66.1300.41	Tappo M32x1.5x29.5	6
10	36.7127.01	Gr. valvola aspiraz./mandata	169
11	99.3039.00	Vite M8x16 UNI 5931	8
12	47.1512.22	Coperchio laterale lato spia	1
13	90.3913.00	OR D. 67.95x2.62 NBR 70SH 3268	2
14	90.3877.00	OR D. 39.34x2.62 NBR 70SH 3156	1
15	70.2118.01	Spia livello olio	1
16	90.0756.00	Anello d'arresto Z145	1
17	91.8380.00	Cuscinetto a rulli	2
18	66.0100.22	Carter pompa	1
19	98.2106.00	Tappo con asta G 3/8"x64	1

LP

SERIE 66

DIS. COD. 66.9500.00_2



W1550

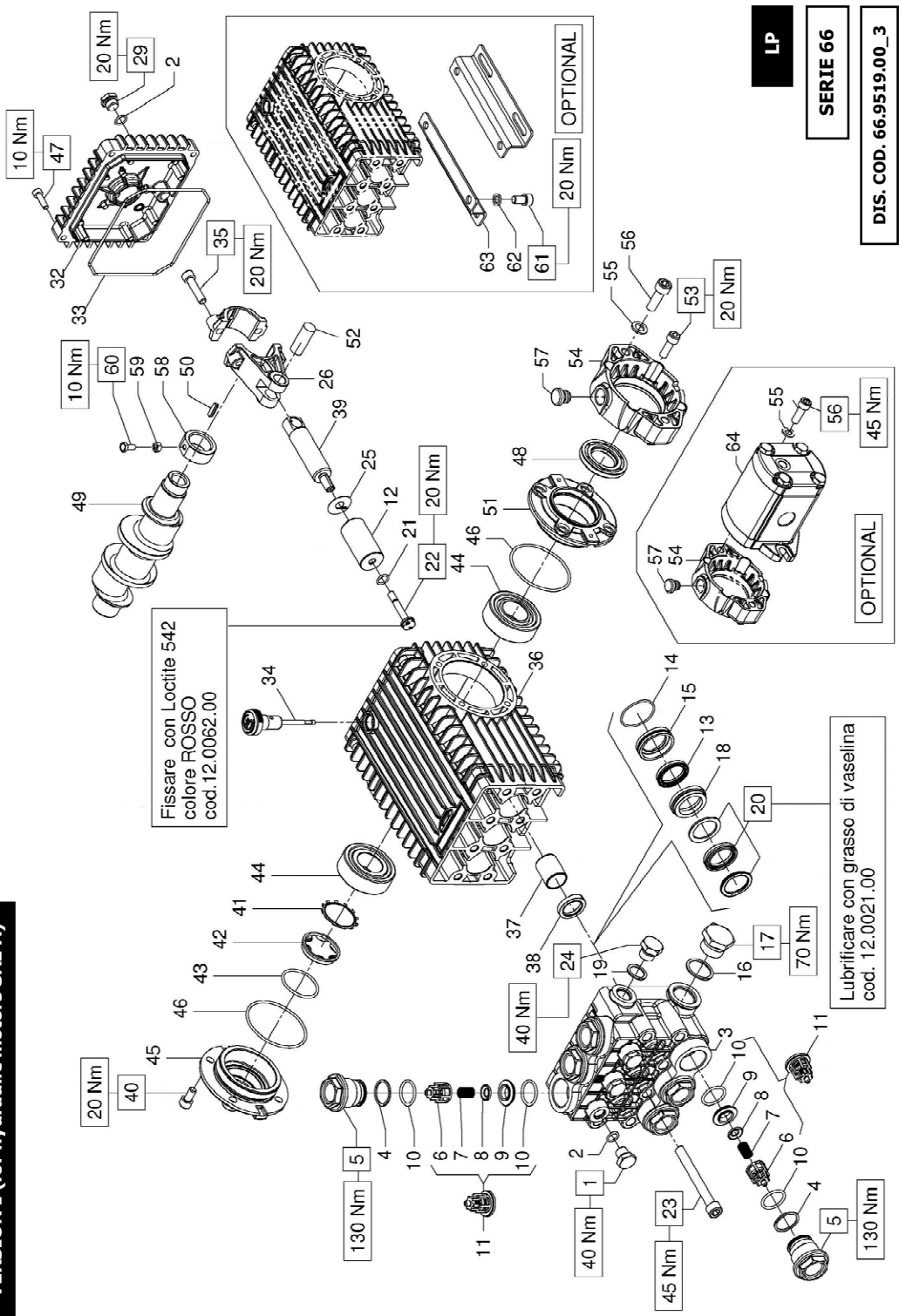
POS	COD.	DESCRIZIONE - DESCRIPTION - KIT	NR
1	66.1246.41	Testata pompa D. 28	1
2	99.3801.00	Vite M10x90 UNI 5931	8
3	90.3857.00	OR D. 23.81x2.62 NBR 70SH 132	169
4	36.2033.66	Sede valvola	169
5	36.2034.76	Valvola sferica	169
6	94.7388.00	Molla Dm. 10.0x18.5	169
7	36.2035.51	Guida valvola	169
8	90.5165.00	Anello antiest. D. 24.7x29.0x1.5	6
9	66.1300.41	Tappo M32x1.5x29.5	6
10	36.7127.01	Gr. valvola aspiraz./mandata	169
11	99.3039.00	Vite M8x16 UNI 5931	8
12	47.1512.22	Coperchio laterale lato spia	1
13	90.3913.00	OR D. 67.95x2.62 NBR 70SH 3268	2
14	90.3877.00	OR D. 39.34x2.62 NBR 70SH 3156	1
15	70.2118.01	Spia livello olio	1
16	90.0756.00	Anello d'arresto Z145	1
17	91.8380.00	Cuscinetto a rulli	2
18	66.0100.22	Carter pompa	1
19	98.2106.00	Tappo con asta G 3/8"x64	1
20	66.0200.35	Albero ecc. C.19	1
21	91.4892.00	Linguetta 9.0x7.0x35.0	1
22	66.0300.01	Biella completa	3
23	90.3922.00	OR D. 133.02x2.62 NBR 70SH 3525	1
24	66.1600.22	Coperchio posteriore	1
25	99.1884.00	Vite M6x20 UNI 5931	4
28	98.2042.50	Tappo G 1/4"x9 TE17 - Zinc.	1
29	90.3585.00	OR D. 10.82x1.78 NBR 70SH 2043	4
30	99.3099.00	Vite serraggio biella	6

KIT RICAMBI - SPARE KITS

KIT Nr.	KIT 2	KIT 3	KIT 169	KIT 248	KIT 247
Posizioni Include Positions Included	50	38	3 - 4 5 - 6 7 (10)	43 - 45	41 - 42 43 - 44 45
Nr. Pcs.	3	2	6	3	1

POS	COD.	DESCRIZIONE - DESCRIPTION - KIT	NR
31	97.7405.00	Spinotto D. 14x39	3
32	66.0500.66	Guida pistone	3
33	96.7101.00	Rosetta D. 10.0x28.0x0.5	3
34	66.0410.09	Pistone D. 28x54	3
35	90.3584.00	OR D. 10.82x1.78 NBR 90SH 2043	3
36	66.2195.66	Vite fissaggio pistone	3
37	47.1510.22	Coperchio laterale lato PTO	1
38	90.1648.00	Anello rad. D. 30.0x55.0x7.0	3
40	98.2100.00	Tappo G 3/8"x13	1
41	66.0825.70	Anello di fondo D. 28	247
42	90.3620.00	OR D. 37.82x1.78 NBR 70SH 2150	247
43	90.2753.00	Anello tenuta D. 28x36x6.5 LP	247 248
44	66.2200.70	Anello intermedio D. 28	247
45	90.2754.00	Anello tenuta D. 28x38x10 HP	247 248
46	47.2000.74	Piede pompa	2
47	96.7106.00	Rosetta D. 10.2x16.02.5	4
48	99.3644.00	Vite M10x18 UNI 5931	4
49	90.9126.00	Boccola D. 22x25x30	3
50	90.1625.00	Anello rad. D. 22.0x32.0x5.5	2
51	96.7380.00	Rosetta D. 17.5x23.0x1.5	1
52	96.7700.00	Rosetta D. 26.5x32.0x1.5	1
53	98.2268.00	Tappo G 3/4"x16	1
54	98.2043.00	Tappo G 1/4"x13	3

VERSION I (for hydraulic motors SAE A)



LP

SERIE 66

DIS. COD. 66.9519.00_3

KIT RICAMBI - SPARE KITS

KIT Nr.	KIT 2	KIT 3	KIT 169	KIT 248	KIT 247
Posizioni Include Positions Included	38	48	6 - 7 8 - 9 10 (11)	13 - 20	13 - 14 15 - 18 20
Nr. Pcs.	3	2	6	3	1

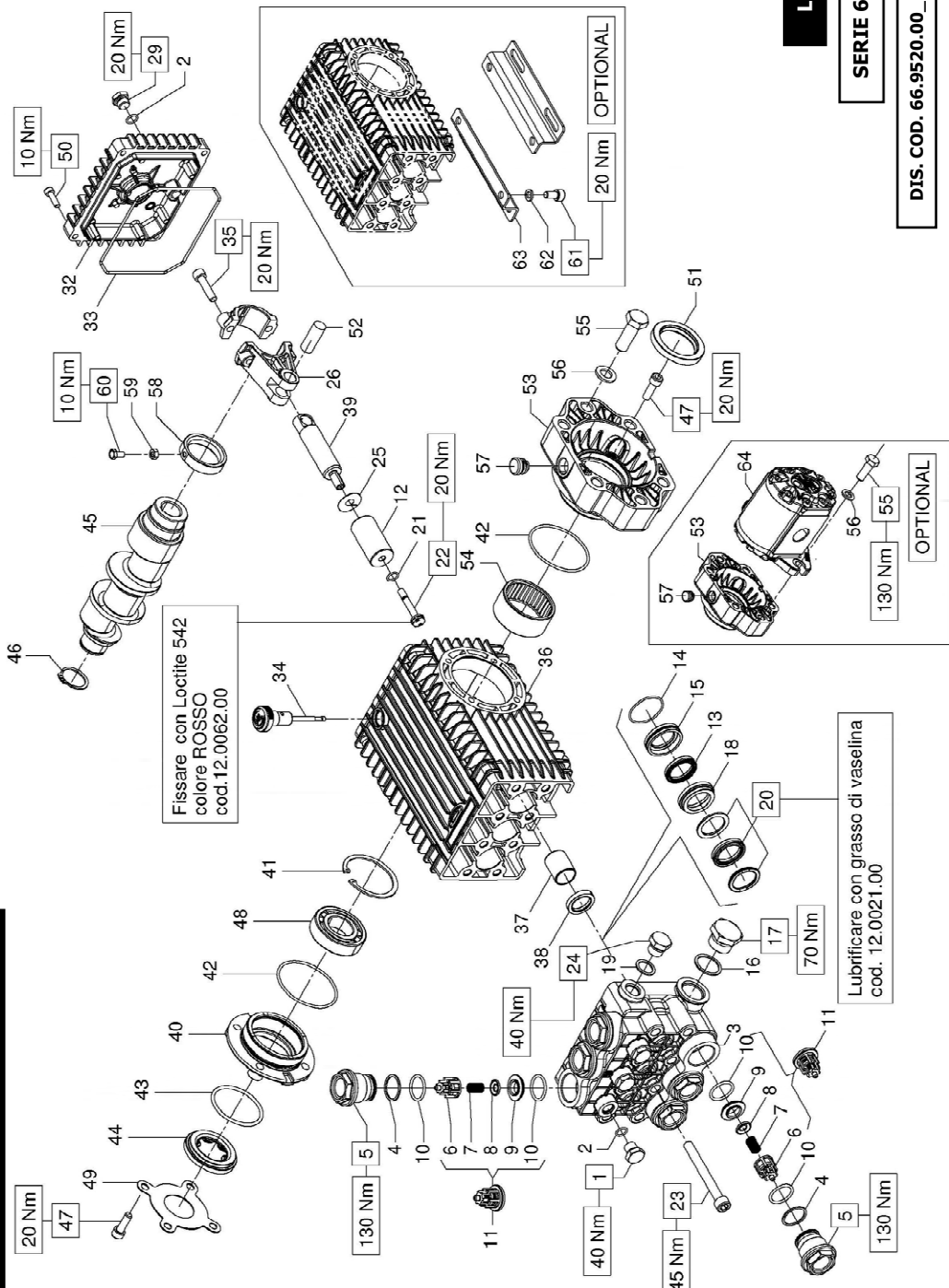
KIT Nr.	KIT 2	KIT 3	KIT 169	KIT 248	KIT 247
Posizioni Include Positions Included	38	48	6 - 7 8 - 9 10 (11)	13 - 20	13 - 14 15 - 18 20
Nr. Pcs.	3	2	6	3	1

POS	COD.	DESCRIZIONE - DESCRIPTION - KIT	NR
1	98.2043.00	Tappo G 1/4"x13	3
2	90.3585.00	OR D. 10.82x1.78 NBR 70SH 2043	4
3	66.1246.41	Testata pompa D. 28	1
4	90.5165.00	Anello antiest. D. 24.7x29.0x1.5	6
5	66.1300.41	Tappo M32x1.5x29.5	6
6	36.2035.51	Guida valvola 169	6
7	94.7388.00	Molla Dm. 10.0x18.5	169
8	36.2034.76	Valvola sferica 169	6
9	36.2033.66	Sede valvola 169	6
10	90.3857.00	OR D. 23.81x2.62 NBR 70SH 132	169
11	36.7127.01	Gr. valvola aspiraz./mandata 169	6
12	66.0410.09	Pistone D. 28x54	3
13	90.2753.00	Anello tenuta D. 28x36x6.5 LP 247,248	3
14	90.3620.00	OR D. 37.82x1.78 NBR 70SH 2150	247
15	66.0825.70	Anello di fondo D. 28	247
16	96.7700.00	Rosetta D. 26.5x32.0x1.5	1
17	98.2268.00	Tappo G 3/4"x16	1
18	66.2200.70	Anello intermedio D. 28	247
19	96.7380.00	Rosetta D. 17.5x23.0x1.5	1
20	90.2754.00	Anello tenuta D. 28x38x10 HP	247,248
21	90.3584.00	OR D. 10.82x1.78 NBR 90SH 2043	3
22	66.2195.66	Vite fissaggio pistone	3
23	99.3801.00	Vite M10x90 UNI 5931	8
24	98.2100.00	Tappo G 3/8"x13	1
25	96.7101.00	Rosetta D. 10.0x28.0x0.5	3
26	66.0300.01	Brella completa	3

POS	COD.	DESCRIZIONE - DESCRIPTION - KIT	NR
29	98.2042.50	Tappo G 1/4"x9 TE17 - Zinc.	1
32	66.1600.22	Coperchio posteriore	1
33	90.3922.00	OR D. 133.02x2.62 NBR 70SH 3525	1
34	98.2106.00	Tappo con asta G 3/8"x64	1
35	99.3099.00	Vite serraggio biella	6
36	66.0100.22	Carte pompa	1
37	90.9126.00	Boccola D. 22x25x30	3
38	90.1625.00	Anello rad. D. 22.0x32.0x5.5	2
39	66.0500.66	Guida pistone	3
40	99.3039.00	Vite M8x16 UNI 5931	4
41	90.0756.00	Anello d'arresto ZH5	1
42	70.2118.01	Spia livello olio	1
43	90.3877.00	OR D. 39.34x2.62 NBR 70SH 3156	1
44	91.8380.00	Cuscinetto a rulli	2
45	47.1512.22	Coperchio laterale lato spia	1
46	90.3913.00	OR D. 67.95x2.62 NBR 70SH 3268	2
47	99.1884.00	Vite M6x20 UNI 5931	4
48	90.1648.00	Anello rad. D. 30.0x55.0x7.0	3
49	66.0212.35	Albero ecc. C.19	1
50	91.4685.00	Linguetta 4.0/4.8x18.0	1
51	47.1510.22	Coperchio laterale lato PTO	1
52	97.7405.00	Spinotto D. 14x39	3
53	99.3069.00	Vite M8x25 UNI 5931	4
54	10.0862.22	Flangia SAE A-2 fori	1
55	96.7103.00	Rosetta D. 10.5x18.0x2.0	2
56	99.3686.00	Vite M10x30 UNI 5931	2
57	90.2065.00	Tappo per foro D. 17 - TTN19	1

POS	COD.	DESCRIZIONE - DESCRIPTION - KIT	NR
58	59.2117.71	Anello per albero D. 26 H.Pack	1
59	92.2025.00	Dado M6x5.0 5588 Zinc.	1
60	70.2270.34	Vite M6x12 con incavo completa	1
61	99.3644.00	Vite M10x18 UNI 5931	4
62	96.7106.00	Rosetta D. 10.2x16.0x2.5	4
63	47.2000.74	Piede pompa	2
64	95.1070.00	Motore ingr. 026R / S-A cl. / G	1

VERSION Y (for hydraulic motors SAE B)



LP

SERIE 66

DIS. COD. 66.9520.00_2

W1555 W2525 T2535 T2040 T1750 T2830

KIT RICAMBI - SPARE KITS

KIT Nr.	KIT 2	KIT 169	PISTONE - PISTON D. 20		PISTONE - PISTON D. 22		PISTONE - PISTON D. 24		PISTONE - PISTON D. 28	
			KIT 170	KIT 171	KIT 172	KIT 173	KIT 181	KIT 182	KIT 248	KIT 247
Posizioni include Positions Included	38	6 - 7 8 - 9 10 (11)	13 - 20	13 - 14 15 - 18 20	13 - 20	13 - 14 15 - 18 20	13 - 20	13 - 14 15 - 18 20	13 - 20	13 - 14 15 - 18 20
Nr. Pcs.	3	6	3	1	3	1	3	1	3	1

PISTONE - PISTON D. 20		PISTONE - PISTON D. 22	
W2525 T2535 T2830	T2040		
PISTONE - PISTON D. 24		PISTONE - PISTON D. 28	
T1750	W1555		

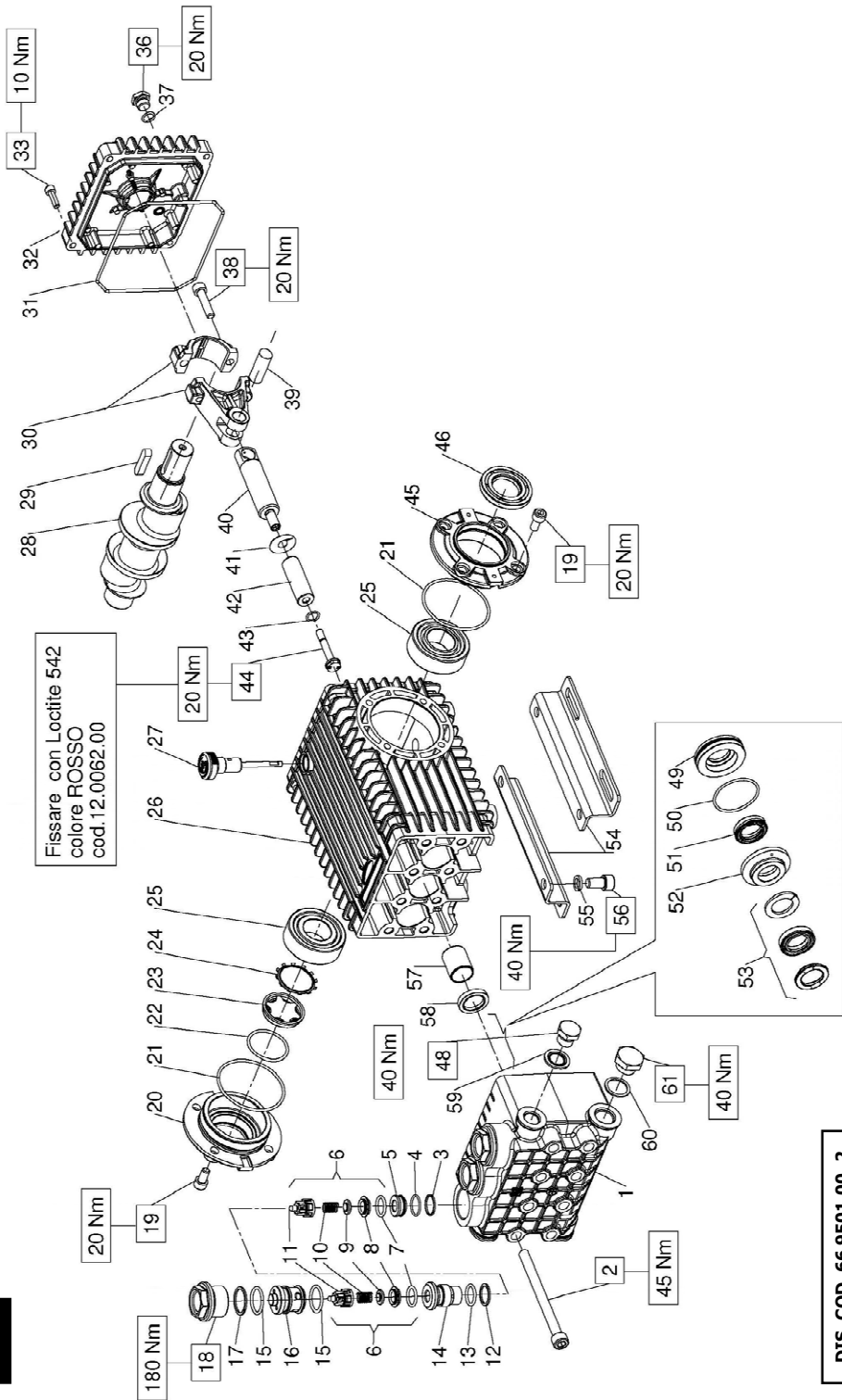
POS	COD.	DESCRIZIONE - DESCRIPTION - KIT	NR
16	96.7700.00	Rosetta D. 26.5x32.0x1.5	1
17	98.2268.00	Tappo G 3/4"x16	1
18	66.2160.70	Anello intermedio D. 20	171
	66.2161.70	Anello intermedio D. 22	173
	66.2164.70	Anello intermedio D. 24	182
	66.2200.70	Anello intermedio D. 28	247
19	96.7380.00	Rosetta D. 17.5x23.0x1.5	1
20	90.2690.00	Anello tenuta D. 20x28x6.5 LP	170 171
	90.2715.00	Anello tenuta D. 22x30x6.5 LP	172 173
	90.2738.00	Anello tenuta D. 24x32x6.5 LP	181 182
	90.2753.00	Anello tenuta D. 28x36x6.5 LP	247 248
21	90.3584.00	OR D. 10.82x1.78 NBR 90SH 2043	3
22	66.2195.66	Vite fissaggio pistone	3
23	99.3801.00	Vite M10x90 UNI 5931	8
24	98.2100.00	Tappo G 3/8"x13	1
25	96.7101.00	Rosetta D. 10.0x28.0x0.5	3
26	66.0300.01	Biella completa	3
29	98.2042.50	Tappo G 1/4"x9 TEI7 - ZInc.	1
32	66.1600.22	Coperchio posteriore	1
33	90.3922.00	OR D. 133.02x2.62 NBR 70SH 3525	1
34	98.2106.00	Tappo con asta G 3/8"x64	1
35	99.3099.00	Vite serraggio biella	6
36	66.0100.22	Carter pompa	1
37	90.9126.00	Boccola D. 22x2x5x30	3
38	90.1625.00	Anello rad. D. 22.0x32.0x5.5	2
39	66.0500.66	Guida pistone	3
40	59.1500.22	Coperchio laterale lato spia	1
41	90.0850.00	Anello d'arresto D. 62	1
42	90.3913.00	OR D. 67.95x2.62 NBR 70SH 3268	2
43	90.4097.00	OR D. 55.56x3.53 NBR 70SH 159	1

POS	COD.	DESCRIZIONE - DESCRIPTION - KIT	NR
44	44.2118.01	Distanziale con indicatore	1
45	66.0214.65	Albero ecc. C.19 - W2525 T2830	1
	66.0213.65	Albero ecc. C.21 - T2535 T2040 T1750 W1555	1
46	90.0667.00	Anello d'arresto D. 30	1
47	99.3069.00	Vite M8x25 UNI 5931	8
48	91.8376.00	Cuscinetto a rulli	1
49	66.1502.74	Coperchio laterale	1
50	99.1884.00	Vite M6x20 UNI 5931	4
51	90.1690.00	Anello rad. D. 45.0x62.0x8.0	1
52	97.7405.00	Spinotto D. 14x39	3
53	10.0872.22	Flangia per motore idraulico SAE-B	4
54	91.8587.00	Boccola a rullini	1
55	99.4848.00	Vite M14x40 UNI 5739	2
56	96.7282.00	Rosetta D. 15.0x24.0x2.5	2
57	90.2065.00	Tappo per foro D. 17 - TTINI9	1
58	71.2289.71	Anello D. 40 per albero H.Pack	1
59	98.2025.00	Dado M6x5	1
60	70.2270.34	Vite M6x12 completa	1
61	99.3644.00	Vite M10x18 UNI 5931	4
62	96.7106.00	Rondella D. 10.2x16.0x2.5	4
63	47.2000.74	Piede pompa	2
64	95.1080.00	Motore ingranaggi 037/R	1

POS	COD.	DESCRIZIONE - DESCRIPTION - KIT	NR
1	98.2043.00	Tappo G 1/4"x13	3
2	90.3585.00	OR D. 10.82x1.78 NBR 70SH 2043	4
3	66.1200.41	Testata pompa D. 20	
	66.1201.41	Testata pompa D. 22	
	66.1202.41	Testata pompa D. 24	
	66.1246.41	Testata pompa D. 28	
4	90.5165.00	Anello antest. D. 24.7x29.0x1.5	6
5	66.1300.41	Tappo M32x1.5x29.5	6
6	36.2035.51	Guida valvola	169 6
7	94.7388.00	Molla Dm. 10.0x18.5	169 6
8	36.2034.76	Valvola sferica	169 6
9	36.2033.66	Sede valvola sferica	169 6
10	90.3857.00	OR D. 23.81x2.62 NBR 70SH 132	169 12
11	36.7127.01	Gr. valvola aspiraz./mandata	169 6
12	66.0400.09	Pistone D. 20x54	
	66.0401.09	Pistone D. 22x54	
	66.0404.09	Pistone D. 24x54	
	66.0410.09	Pistone D. 28x54	
13	90.2692.00	Anello tenuta D. 20x30x10 HP 170 171	
	90.2717.00	Anello tenuta D. 22x32x10 HP 172 173	
	90.2741.00	Anello tenuta D. 24x34x10 HP 181 182	
	90.2754.00	Anello tenuta D. 28x38x10 HP 247 248	
14	90.3616.00	OR D. 34.65x1.78 NBR 70SH 2137 171 173 176 247	3
15	66.0800.70	Anello di fondo D. 20	171
	66.0801.70	Anello di fondo D. 22	173
	66.0804.70	Anello di fondo D. 24	182
	66.0825.70	Anello di fondo D. 28	247

SERIE 66

HP



DIS. COD. 66.9501.00_2

W5015 W4518 W4015 W4018 W3521 W3523 W4021 T4018 W5018 T5018 T5015	
--	--

PISTONE - PISTON - D. 16		PISTONE - PISTON - D. 18	
OTTONE	W5015 W4518 W4015 W4018 T4018 T5015	W3521 W3523	
BRASS			
NICKEL	W5018 T5018	W4021	

POS	COD.	DESCRIZIONE - DESCRIPTION - KIT	NR
1	66.1210.41	Testata pompa D. 16	
	66.1211.41	Testata pompa D. 18	
	66.1253.01	Testata pompa D. 18 - NICKEL	1
	66.1240.41	Testata pompa D. 16 - W5015 W4518	
	66.1247.41	Testata pompa D. 16 - NICKEL	
2	99.3820.00	Vite M10x120 UNI 5931	8
3	90.5118.00	Anello antief. D. 19,5x22,0x1,5	3
4	90.3596.00	OR D. 18,77x1,78 NBR 70SH 2075	3
5	66.2102.70	Distanziale	3
6	36.7121.01	Gr. valvola aspiraz./mandata 150	6
7	90.3841.00	OR D. 17,13x2,62 NBR 70SH 3068 150	6
8	36.2003.66	Sede valvola 150	6
9	36.2032.66	Valvola sferica 150	6
10	94.7376.00	Molla Dim. 9,4x14,8	150
11	36.2025.51	Guida valvola 150	6
12	90.5115.00	Anello antief. D. 18,7x23,0x1,5	3
13	90.3843.00	OR D. 17,86x2,62 NBR 70SH 123	3
14	66.2101.66	Bussola	3
15	90.3857.00	OR D. 23,81x2,62 NBR 70SH 132	6
16	66.2100.70	Tappo D. 29	3
17	90.5165.00	Anello antief. D. 24,7x29,0x1,5	3
18	66.1301.41	Tappo valvole M32x1,5x18,5	3
	66.1310.41	Tappo valvole M32x1,5x18,5 - NICKEL	
19	99.3039.00	Vite M8x16 UNI 5931	8
20	47.1512.22	Coperchio laterale lato spia	1
21	90.3913.00	OR D. 67,95x2,62 NBR 70SH 3268	2

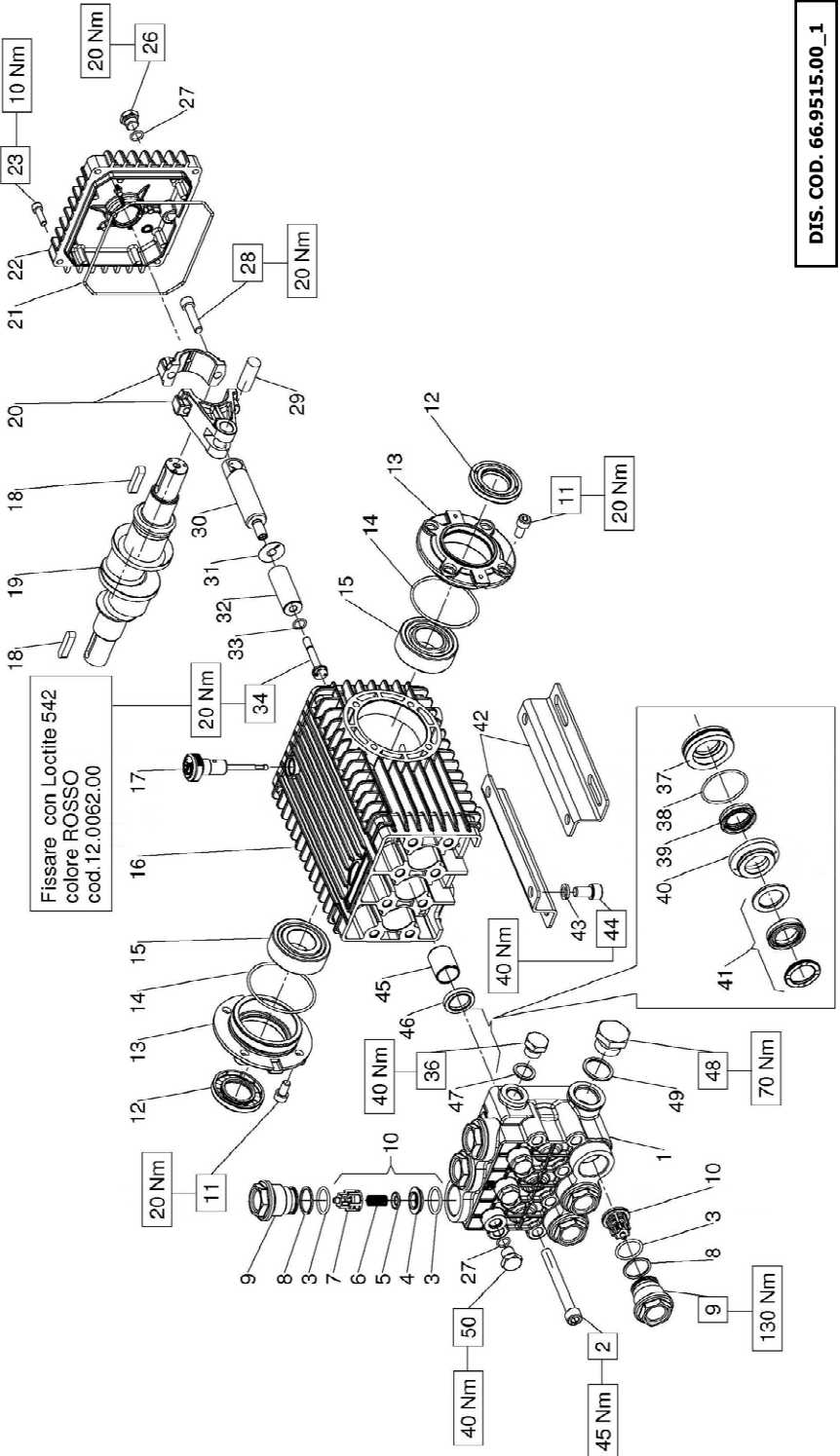
KIT RICAMBI - SPARE KITS				PISTONE - PISTON D. 16		PISTONE - PISTON D. 18	
KIT Nr.	KIT 2	KIT 3	KIT 150	KIT 174	KIT 175	KIT 180	KIT 176
Posizioni incluse Positions Included	58	46	7 - 8 9 - 10 11 (6)	51 - 53	49 - 50 51 - 52 53	51 - 53	49 - 50 51 - 52 53
Nr. Pcs.	3	2	6	3	1	3	1

POS	COD.	DESCRIZIONE - DESCRIPTION - KIT	NR
22	90.3877.00	OR D. 39,34x2,62 NBR 70SH 3156	1
23	70.2118.01	Spia livello olio	1
24	90.0756.00	Anello d'arresto ZM5	1
25	91.8380.00	Cuscinetto a rulli	2
26	66.0100.22	Carter pompa	1
27	98.2106.00	Tappo con asta G 3/8"x64	1
	66.0200.35	Albero ecc. C.19 - W5015 W4015 W3521 T4018 T5018 W4021	
28	66.0204.35	Albero ecc. C.21 - W4518 W4018 W3523 W5018	1
	66.0211.35	Albero ecc. C.16 - T5015	
29	91.4892.00	Linguetta 9,0x7,0x35,0	1
30	66.0300.01	Biella completa	3
31	90.3922.00	OR D.133,02x2,62 NBR 70SH 3525	1
32	66.1600.22	Coperchio posteriore	1
33	99.1884.00	Vite M6x20 UNI 5931	4
36	98.2042.50	Tappo G 1/4"x9 TE17 - Zinc.	1
37	90.3585.00	OR D. 10,82x1,78 NBR 70SH 2043	1
38	99.3099.00	Vite serraggio biella	6
39	97.7405.00	Spinotto D. 14x39	3
40	66.0500.66	Guida pistone	3
41	96.7101.00	Rosetta D. 10,0x28,0x0,5	3
42	66.0402.09	Pistone D. 16x54	3
	66.0403.09	Pistone D. 18x54	
43	90.3584.00	OR D. 10,82x1,78 NBR 90SH 2043	3
44	66.2195.66	Vite fissaggio pistone	3
45	47.1510.22	Coperchio laterale lato PTO	1
46	90.1648.00	Anello rad. D. 30,0x56,0x7,0	3
48	98.2100.00	Tappo G 3/8"x13	1

POS	COD.	DESCRIZIONE - DESCRIPTION - KIT	NR
49	66.0802.70	Anello di fondo D. 16	175
	66.0803.70	Anello di fondo D. 18	176
50	90.3616.00	OR D. 34,65x1,78 NBR 70SH 2137 175 176	3
51	90.2631.00	Anello tenuta D. 16x24x6,5 LP 174 175	3
	90.2652.00	Anello tenuta D. 18x26x6,5 LP 180 176	
52	66.2162.70	Anello intermedio D. 16	175
	66.2163.70	Anello intermedio D. 18	176
53	90.2634.00	Anello tenuta D. 16x26x9,5 HP 174 175	3
	90.2655.00	Anello tenuta D. 18x28x10 HP 180 176	
54	47.2000.74	Piede pompa	2
55	96.7106.00	Rosetta D. 10,2x16,0x2,5	4
56	99.3644.00	Vite M10x18 UNI 5931	4
57	90.9126.00	Boccola D. 22x25x30	3
58	90.1625.00	Anello rad. D. 22,0x32,0x5,5	2
59	93.1858.00	Rondella di tenuta G 3/8"	1
60	96.7514.00	Rosetta D. 21,5x27,0x1,5	1
61	98.2176.00	Tappo G 1/2"x10	1

SERIE 66

LP



DIS. COD. 66.9515.00_1

W3021 W2525 W3025 W2030 W1550 T3025 T2530 T2830
--

KIT RICAMBI - SPARE KITS									
KIT Nr.	KIT 2	KIT 3	KIT 169	KIT 180	KIT 176	PISTONE - PISTON D. 18	PISTONE - PISTON D. 20	PISTONE - PISTON D. 22	PISTONE - PISTON D. 28
Posizioni/Include Positions Included	46	12	3-4 5-6 7 (10)	39-41	37-38 39-40 41	37-38 39-40 41	37-38 39-40 41	37-38 39-40 41	37-38 39-40 41
Nr. Pcs.	3	2	6	3	1	3	1	3	1

PISTONE - PISTON D. 18		PISTONE - PISTON D. 20	
	W3021 T3025	W2525 W3025 T2530 T2830	
PISTONE - PISTON D. 22		PISTONE - PISTON D. 28	
	W2030	W1550	

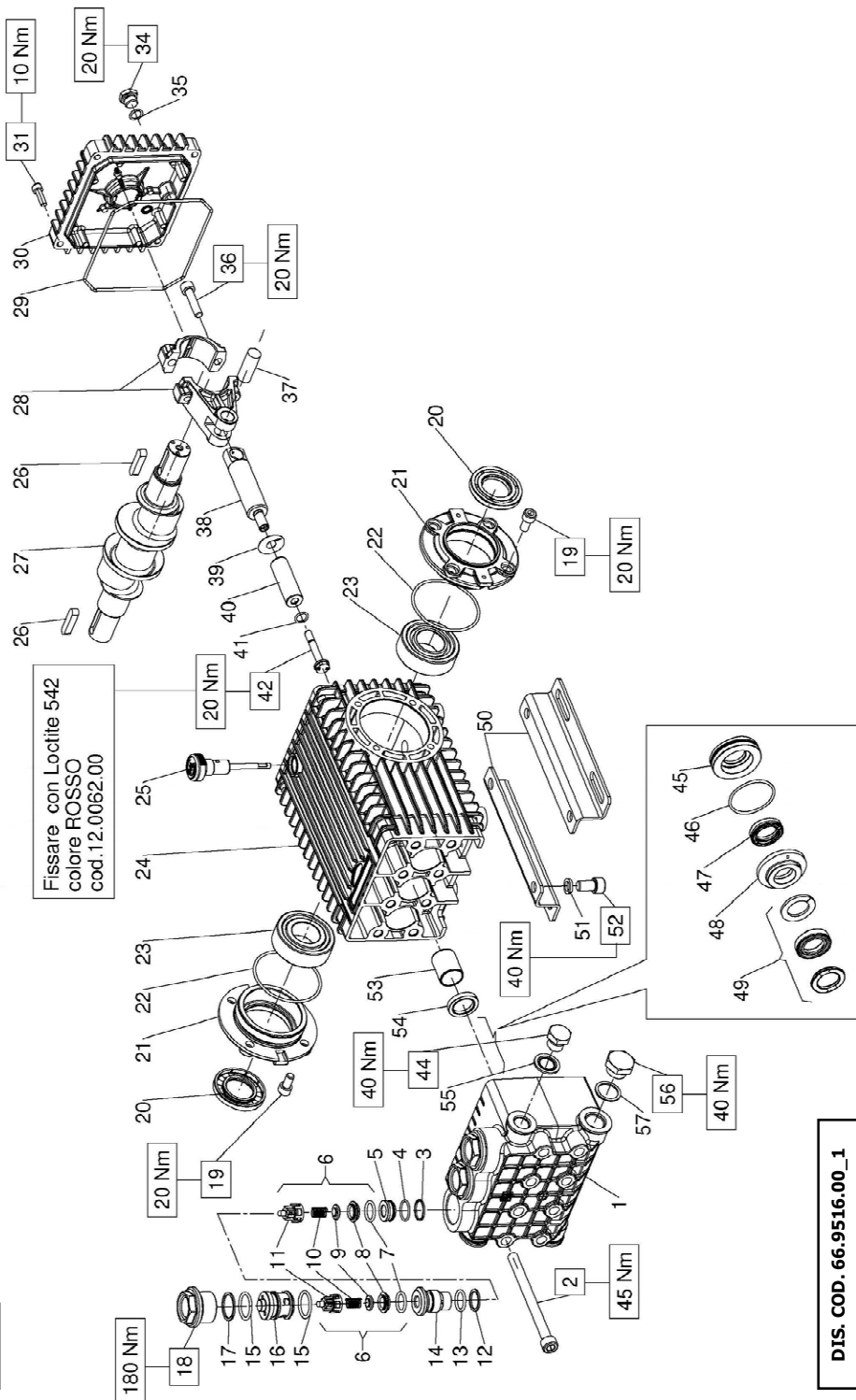
POS	COD.	DESCRIZIONE - DESCRIPTION - KIT	NR
1	66.1245.41	Testata pompa D. 18	1
	66.1200.41	Testata pompa D. 20	
	66.1201.41	Testata pompa D. 22	
	66.1246.41	Testata pompa D. 28	
2	99.3801.00	Vite M10x90 UNI 5931	8
3	90.3857.00	OR D. 23.81x2.62 NBR 70SH 132	169
4	36.2033.66	Sede valvola	169
5	36.2034.76	Valvola sferica	169
6	94.7388.00	Molla Dm. 10.0x18.5	169
7	36.2035.51	Guida valvola	169
8	90.5165.00	Anello antiest. D. 24.7x19.0x1.5	6
9	66.1300.41	Tappo M32x1.5x29.5	6
10	36.7127.01	Gr. valvola aspiraz./mandata	169
11	99.3039.00	Vite M8x16 UNI 5931	8
12	90.1648.00	Anello rad. D. 30.0x55.0x7.0	3
13	47.1510.22	Coperchio laterale lato PTO	2
14	90.3913.00	OR D. 67.95x2.62 NBR 70SH 3268	2
15	91.8380.00	Cuscinetto a rulli	2
16	66.0100.22	Carte pompa	1
17	98.2106.00	Tappo con asta G 3/8"x64	1
18	91.4892.00	Linguetta 9,0x7,0x35,0	2
19	66.0210.35	Albero ecc. C.19	1
20	66.0300.01	Brella completa	3

POS	COD.	DESCRIZIONE - DESCRIPTION - KIT	NR
21	90.3922.00	OR D.133.02x2.62 NBR 70SH 3525	1
22	66.1600.22	Coperchio posteriore	1
23	99.1884.00	Vite M6x20 UNI 5931	4
26	98.2042.50	Tappo G.1/4"x9 TE17 - Zinc.	1
27	90.3585.00	OR D. 10.82x1.78 NBR 70SH 2043	4
28	99.3099.00	Vite serraggio biella	6
29	97.7405.00	Spinotto D. 14x39	3
30	66.0500.66	Guida pistone	3
31	96.7101.00	Rosetta D. 10.0x28.0x0.5	3
	66.0403.09	Pistone D. 18x54	
	66.0400.09	Pistone D. 20x54	
32	66.0401.09	Pistone D. 22x54	3
	66.0410.09	Pistone D. 28x54	
33	90.3584.00	OR D. 10.82x1.78 NBR 90SH 2043	3
34	66.2195.66	Vite fissaggio pistone	3
36	98.2100.50	Tappo G.3/8"x13 TE22 - Zinc.	1
	66.0803.70	Anello di fondo D. 18	176
	66.0800.70	Anello di fondo D. 20	171
37	66.0801.70	Anello di fondo D. 22	173
	66.0825.70	Anello di fondo D. 28	247
38	90.3616.00	OR D. 34.65x1.78 NBR 70SH 2137	3
	90.3620.00	OR D. 37.82x1.78 NBR 70SH 2150	247
	90.2652.00	Anello tenuta D. 18x26x6.5 LP	180 176
	90.2690.00	Anello tenuta D. 20x28x6.5 LP	170 171
39	90.2715.00	Anello tenuta D. 22x30x6.5 LP	172 173
	90.2753.00	Anello tenuta D. 28x36x6.5 LP	247 248

POS	COD.	DESCRIZIONE - DESCRIPTION - KIT	NR
	66.2163.70	Anello intermedio D. 18	176
	66.2160.70	Anello intermedio D. 20	171
	66.2161.70	Anello intermedio D. 22	173
40	66.2200.70	Anello intermedio D. 28	247
	90.2655.00	Anello tenuta D. 18x28x10 HP	180 176
	90.2692.00	Anello tenuta D. 20x30x10 HP	170 171
41	90.2717.00	Anello tenuta D. 22x32x10 HP	172 173
	90.2754.00	Anello tenuta D. 28x38x10 HP	247 248
42	47.2000.74	Piede pompa	2
43	96.7106.00	Rosetta D. 10.2x16.0x2.5	4
44	99.3644.00	Vite M10x18 UNI 5931	4
45	90.9126.00	Boccola D. 22x25x30	3
46	90.1625.00	Anello rad. D. 22.0x32.0x5.5	2
47	96.7380.00	Rosetta D. 17.5x23.0x1.5	1
48	98.2268.00	Tappo G.3/4"x16	1
49	96.7700.00	Rosetta D. 26.5x32.0x1.5	1
50	98.2043.00	Tappo G.1/4"x13	3

SERIE 66

HP



DIS. COD. 66.9516.00_1

W5015 W4015 W3521 W4021 T4018 T5018	
OTTONE BRASS	W5015 W4015 W4018 T5018
NICKEL	W4021

PISTONE - PISTON - D. 16		PISTONE - PISTON - D. 18	
	W5015 W4015 W4018	W3521	
	T5018		W4021

POS	COD.	DESCRIZIONE - DESCRIPTION - KIT	NR
1	66.1210.41	Testata pompa D. 16	
	66.1211.41	Testata pompa D. 18	
	66.1253.01	Testata pompa D. 18 - NICKEL	1
	66.1240.41	Testata pompa D. 16 - W5015 W4518	
	66.1247.41	Testata pompa D. 16 - NICKEL	
2	99.3820.00	Vite M10x120 UNI 5931	8
3	90.5118.00	Anello antistestr. D. 19.5x22.0x1.5	3
4	90.3596.00	OR D. 18.77x1.78 NBR 70SH 2075	3
5	66.2102.70	Distanziale	3
6	36.7121.01	Gr. valvola aspiraz./mandata	150
7	90.3841.00	OR D. 17.13x2.62 NBR 70SH 3068 150	6
8	36.2003.66	Sede valvola	150
9	36.2032.66	Valvola sferica	150
10	94.7376.00	Molla Dm. 9.4x14.8	150
11	36.2025.51	Guida valvola	150
12	90.5115.00	Anello antiestr. D. 18.7x23.0x1.5	3
13	90.3843.00	OR D. 17.86x2.62 NBR 70SH 123	3
14	66.2101.66	Bussola	3
15	90.3857.00	OR D. 23.81x2.62 NBR 70SH 132	6
16	66.2100.70	Tappo D. 29	3
17	90.5165.00	Anello antiestr. D. 24.7x29.0x1.5	3
18	66.1301.41	Tappo valvole M32x1.5x18.5	3
19	99.3039.00	Vite M8x16 UNI 5931	8
20	90.1648.00	Anello rad. D. 30.0x56.0x7.0	3 2

KIT RICAMBI - SPARE KITS

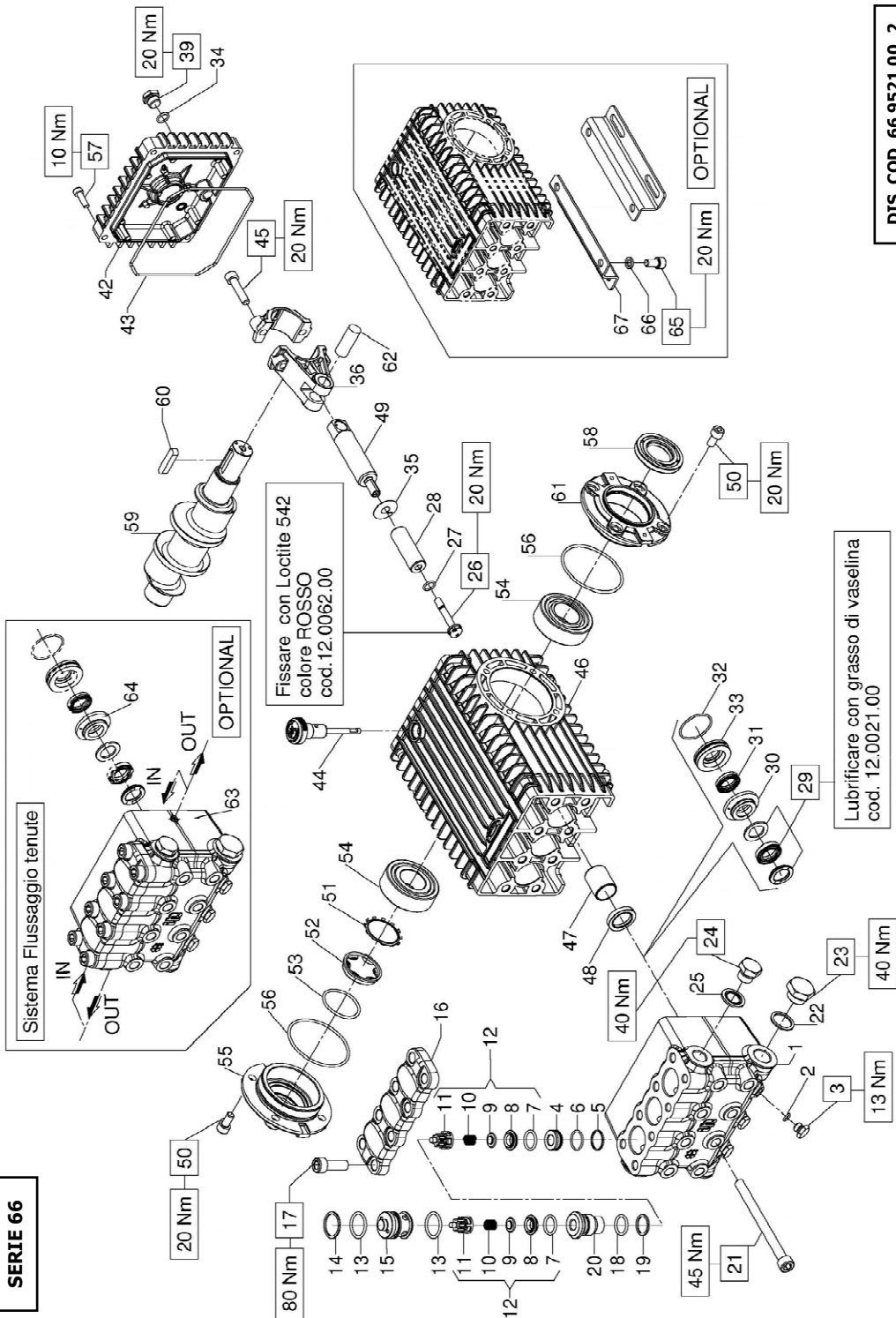
KIT Nr.	KIT 2	KIT 3	KIT 150
Posizioni include Positions included	54	20	7 - 8 9 - 10 11 (6)
Nr. Pcs.	3	2	6

POS	COD.	DESCRIZIONE - DESCRIPTION - KIT	NR
21	47.1510.22	Coperchio laterale lato PTO	2
22	90.3913.00	OR D. 67.95x2.62 NBR 70SH 3268	2
23	91.8380.00	Cuscinetto a rulli	2
24	66.0100.22	Carter pompa	1
25	98.2106.00	Tappo con asta G 3/8"x64	1
26	91.4892.00	Linguetta 9.0x7.0x35.0	2
27	66.0210.35	Albero ecc. C. 19	1
28	66.0300.01	Biella completa	3
29	90.3922.00	OR D.133.02x2.62 NBR 70SH 3525	1
30	66.1600.22	Coperchio posteriore	1
31	99.1884.00	Vite M6x20 UNI 5931	4
34	98.2042.50	Tappo G 1/4"x9 TE17 - Zinc.	1
35	90.3585.00	OR D. 10.82x1.78 NBR 70SH 2043	1
36	99.3099.00	Vite serraggio biella	6
37	97.7405.00	Spinotto D. 14x39	3
38	66.0500.66	Guida pistone	3
39	96.7101.00	Rosetta D. 10.0x28.0x0.5	3
40	66.0402.09	Pistone D. 16x54	3
	66.0403.09	Pistone D. 18x54	
41	90.3584.00	OR D. 10.82x1.78 NBR 90SH 2043	3
42	66.2195.66	Vite fissaggio pistone	3
44	98.2100.00	Tappo G 3/8"x13	1
45	66.0802.70	Anello di fondo D. 16	175
	66.0803.70	Anello di fondo D. 18	176
46	90.3616.00	OR D. 34.65x1.78 NBR 70SH 2137	3
			175 176
47	90.2631.00	Anello tenuta D. 16x24x6.5 LP	174 175
	90.2652.00	Anello tenuta D. 18x26x6.5 LP	180-176

PISTONE - PISTON D. 16		PISTONE - PISTON D. 18	
KIT 174	KIT 175	KIT 180	KIT 176
47 - 49	45 - 46 47 - 48 49	47 - 49	45 - 46 47 - 48 49
3	1	3	1

POS	COD.	DESCRIZIONE - DESCRIPTION - KIT	NR
48	66.2162.70 66.2163.70	Anello intermedio D. 16 Anello intermedio D. 18	175 176
49	90.2634.00 90.2655.00	Anello tenuta D. 16x26x9.5 HP 174-175 Anello tenuta D. 18x28x10 HP 180-176	3
50	47.2000.74	Piede pompa	2
51	96.7106.00	Rosetta D. 10.2x16.0x2.5	4
52	99.3644.00	Vite M10x18 UNI 5931	4
53	90.9126.00	Boccola D. 22x25x30	3
54	90.1625.00	Anello rad. D. 22.0x32.0x5.5	2
55	93.1858.00	Rondella di tenuta G 3/8"	1
56	96.7514.00	Rosetta D. 21.5x27.0x1.5	1
57	98.2176.00	Tappo G 1/2"x10	1

SERIE 66



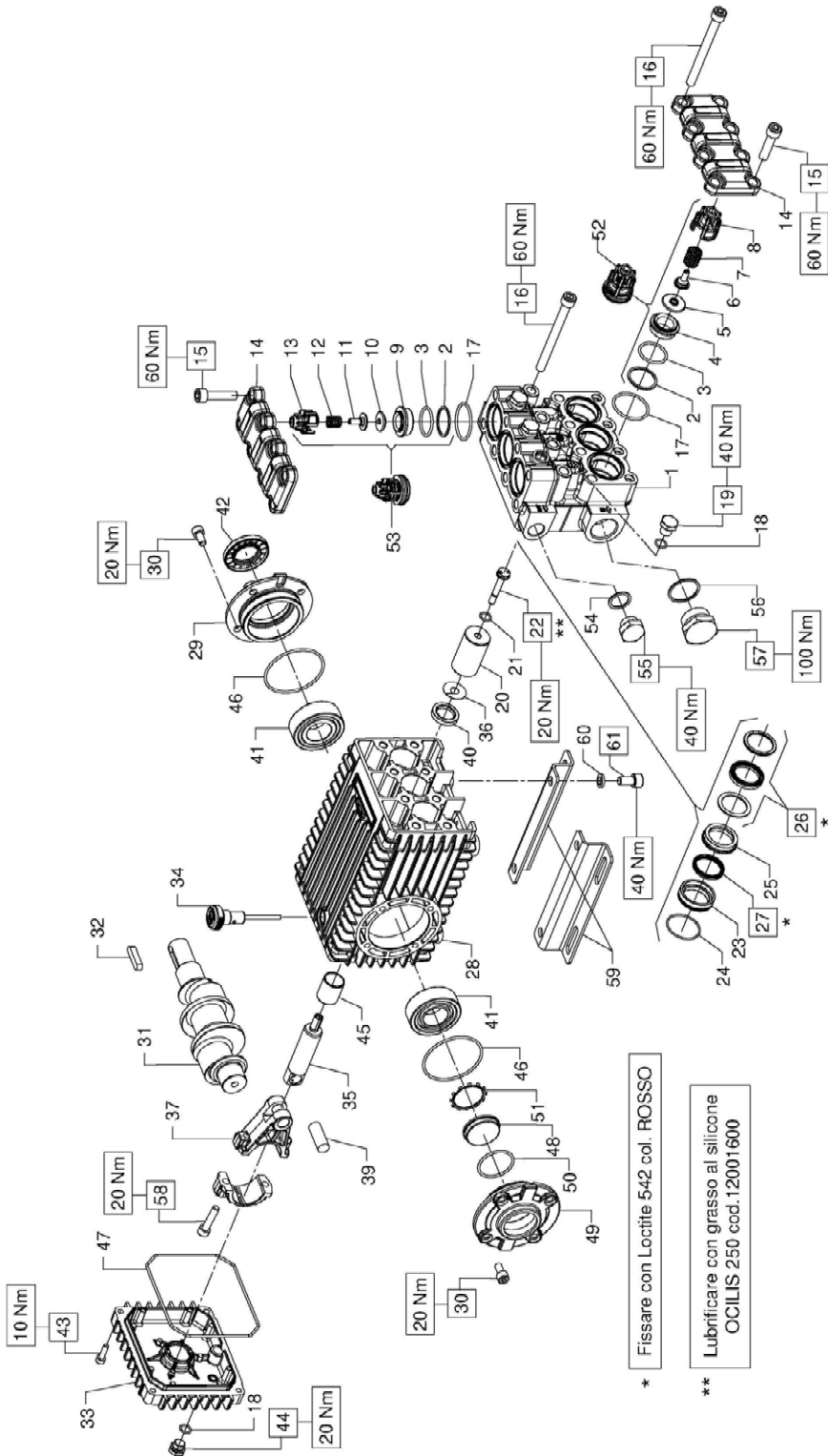
KIT RICAMBI - SPARE KITS

KIT Nr.	KIT 0002	KIT 0003	KIT 0150	KIT 0180	KIT 0176
Posizioni incluse Positions Included	48	58	7 - 8 9 - 10 11 (12)	29 - 31	29 - 30 31 - 32 33
Nr. Pcs.	3	2	6	3	1

POS	COD.	DESCRIZIONE - DESCRIPTION - KIT	NR
28	66.0403.09	Pistone D. 18x54	3
29	90.2655.00	Anello ten. alt. D. 18.0x28.0x10.0 HP 176 180	3
30	66.2163.73	Anello intermedio D. 18	176
31	90.2652.00	Anello ten. alt. D. 18.0x26.0x6.5 LP 176 180	3
32	90.3616.00	OR D. 34.65x1.78 NBR 70SH 2137	176
33	66.0803.70	Anello di fondo D. 18	176
34	90.3585.00	OR D. 10.82x1.78 NBR 70SH 2043	1
35	96.7101.00	Rosetta D. 10.0x28.0x0.5	3
36	66.0300.01	Biella	3
39	98.2042.50	Tappo G 1/4"x9 TEI7 Zinc.	1
42	66.1600.22	Coperchio posteriore	1
43	90.3922.00	OR D. 133.02x2.62 NBR 70SH 3525	1
44	98.2106.00	Tappo con asta G 3/8"x64 D. 4	1
45	99.3099.00	Vite serraggio biella	6
46	66.0100.22	Carter pompa	1
47	90.9126.00	Boccola D. 22x25x30	3
48	90.1625.00	Anello rad. D. 22.0x32.0x5.0	2
49	66.0500.66	Guida pistone	1
50	99.3039.00	Vite M8x16 5931	8
51	90.0756.00	Anello d'arresto ZH45	1
52	70.2118.01	Spia livello olio	1
53	90.3877.00	OR D. 39.34x2.62 NBR 70SH 3156	1
54	91.8380.00	Cuscinetto a rulli	2
55	47.1512.22	Coperchio laterale lato spia	1
56	90.3913.00	OR D. 67.95x2.62 NBR 70SH 3268	2
57	99.1884.00	Vite M6x20 5931	4

POS	COD.	DESCRIZIONE - DESCRIPTION - KIT	NR
1	66.1249.39	Testata pompa D. 18	1
2	90.3576.00	OR D. 6.72x1.78 NBR 70SH 106	3
3	98.1972.00	Tappo G 1/8"x8	3
4	66.2102.70	Distanziale	3
5	90.5118.00	Anello antiest. D. 19.5x22.0x1.5	3
6	90.3596.00	OR D. 18.77x1.78 NBR 70SH 2075	3
7	90.3841.00	OR D. 17.13x2.62 NBR 70SH 3068 150	6
8	36.2003.66	Sede valvola	150
9	36.2032.66	Valvola sferica	150
10	94.7376.00	Molla Dm. 9.4x14.8	150
11	36.2025.51	Guida valvola	150
12	36.7121.01	Gr. valvola aspirazione e mandata	150
13	90.3857.00	OR D. 23.81x2.62 NBR 70SH 132	6
14	90.5165.00	Anello antiest. D. 24.7x29.0x1.5	3
15	66.2100.70	Tappo D. 29	3
16	66.2203.36	Coperchio valvole	1
17	99.3687.00	Vite M10x30 5931	8
18	90.3843.00	OR D. 17.86x2.62 NBR 70SH 123	3
19	90.5115.00	Anello antiest. D. 18.7x23.0x1.5	3
20	66.2101.66	Bussola	3
21	98.3820.00	Vite M10x120 5931	8
22	96.7514.00	Rosetta D. 21.5x27.0x1.5	1
23	98.2179.00	Tappo G 1/2"x10	1
24	98.2099.00	Tappo G 3/8"x13	1
25	93.1858.00	Rosetta con tenuta G 3/8"	1
26	66.2195.66	Vite fissaggio pistone	3
27	90.3584.00	OR D. 10.82x178 NBR 90SH 2043	3

WK5021



* Fissare con Loctite 542 col. ROSSO

** Lubrificare con grasso al silicone OCILIS 250 ccd.12001600

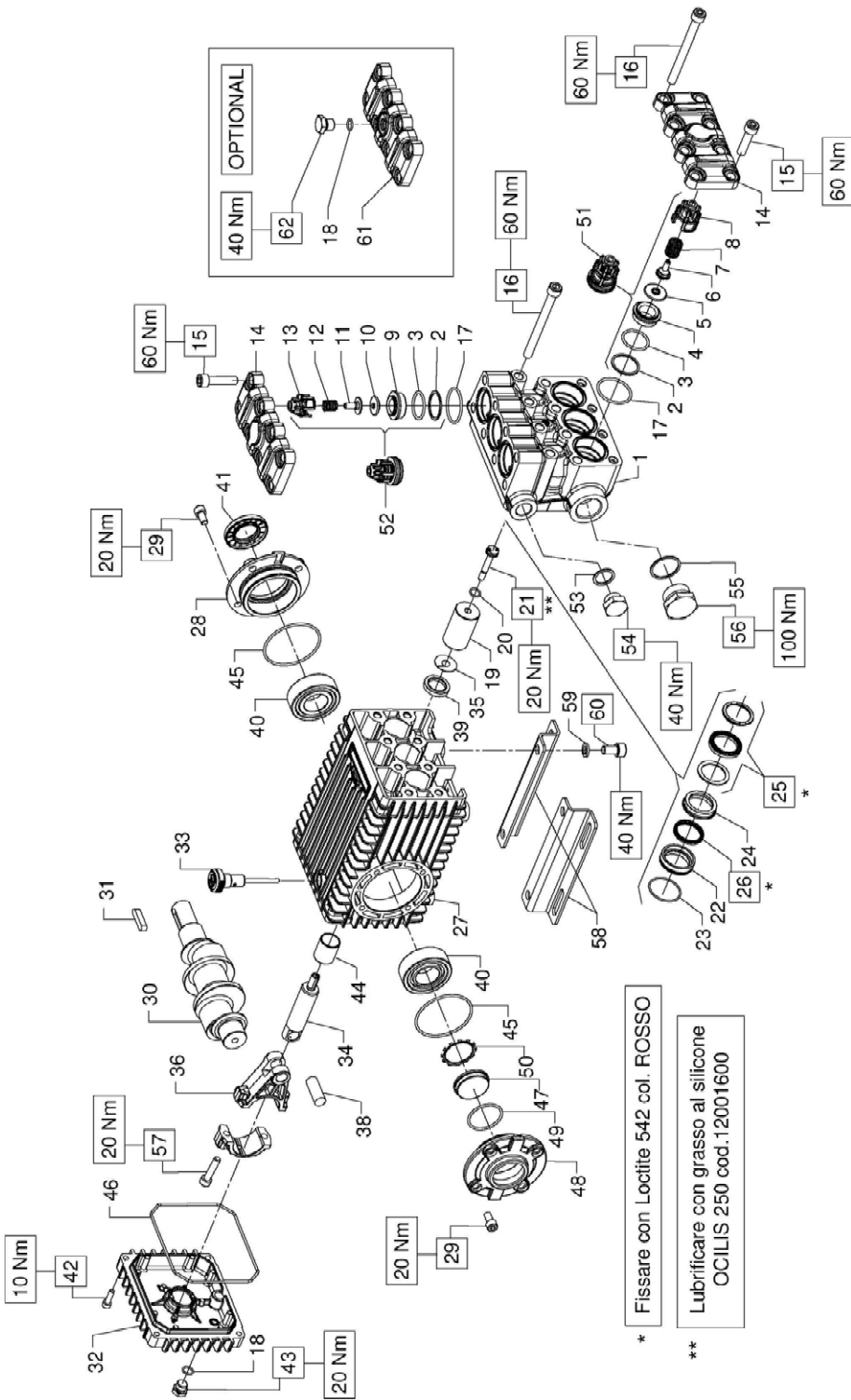
KIT RICAMBI - SPARE KITS

KIT Nr.	KIT 2468	KIT 2001	KIT 0002	KIT 0003	KIT 0419	KIT 0420
Posizioni incluse Positions included	2 - 3 - 4 - 5 6 - 7 - 8 (52)	2 - 3 - 9 - 10 11 - 12 - 13 (53)	40	42	26 - 27	23 - 24 - 25 26 - 27
Nr. Pcs.	3	3	3	1	3	1

POS	COD.	DESCRIZIONE - DESCRIPTION - KIT	NR
26	90.2779.80	Anello ten. alt. D. 31.0x40.0x10.0 HP 419 420	3
27	90.2779.00	Anello ten. alt. D. 31.0x37.0x5.0 LP 419 420	3
28	66.0100.22	Carter pompa	1
29	47.1510.22	Coperchio laterale aperto	1
30	99.3039.00	Vite M8x16 5931 8.8 Zinc.	8
31	66.0204.35	Albero ecc. C. 21.0 (marc. R)	1
32	91.4892.00	Linguetta 8x7x35 UNI6604/A	1
33	66.1600.22	Coperchio posteriore	1
34	98.2106.00	Asta livello olio G 3/8" x64 D. 4	1
35	66.0500.66	Guida per pistone	3
36	96.7101.00	Rosetta D. 10.0x28.0x0.5	3
37	66.0300.01	Biella completa	3
39	97.7405.00	Spinotto D. 14x39	3
40	90.1625.00	Anello rad. D. 22.0x32.0x5.0	2
41	91.8380.00	Cuscinetto rulli	2
42	90.1648.00	Anello rad. D. 30.0x55.0x7.0	3
43	99.1884.00	Vite M6x20 5931 8.8 Zinc.	4
44	98.2042.50	Tappo G 1/4" x9 TE17 Zinc.	1
45	90.9126.00	Boccola D. 22x25x30	3
46	90.3913.00	OR D. 67.95x2.62 NBR 70SH 3268	2
47	90.3922.00	OR D.133.02x2.62 NBR 70SH 3525	1
48	70.2118.01	Spia livello olio	1
49	47.1512.22	Coperchio laterale spia	1
50	90.3877.00	OR D. 39.34x2.62 NBR 70SH 3156	1
51	90.0756.00	Anello arresto zH5	1
52	36.7277.01	Gr. valvola aspirazione	2-468

POS	COD.	DESCRIZIONE - DESCRIPTION - KIT	NR
1	66.1255.41	Testata pompa D. 31	1
2	90.5178.00	Anello antiest. D. 31.0x35.5x1.5 2001 2468	6
3	90.3865.00	OR D. 29.82x2.62 NBR 70SH 3118 2001 2468	6
4	36.2048.66	Sede valvola aspirazione	2468
5	36.2162.66	Valvola sferica aspirazione	2468
6	36.2161.51	Guida valvola interna aspirazione	2468
7	94.7447.00	Molla Dm. 15.9x24.3 INOX	2468
8	36.2160.05	Guida valvola aspirazione	2468
9	36.2038.66	Sede valvola mandata	2001
10	36.2099.56	Valvola sferica mandata	2001
11	36.2101.51	Guida valvola interna mandata	2001
12	94.7401.00	Molla Dm. 12.0x17.0 INOX	2001
13	36.2138.05	Guida valvola mandata	2001
14	66.2213.41	Coperchio valvole	2
15	99.3712.00	Vite M10x40 5931	12
16	99.3817.00	Vite M10x110 5931	8
17	90.3878.00	OR D. 39.34x2.62 NBR 90SH 3156	6
18	90.3585.00	OR D. 10.82x1.78 NBR 70SH 2043	4
19	98.2043.00	Tappo G 1/4" x13	3
20	66.0411.09	Pistone D. 31x54	3
21	90.3584.00	OR D. 10.82x1.78 NBR 90SH 2043	3
22	66.2195.66	Vite fissaggio pistone	3
23	66.0830.70	Anello di fondo D. 31	420
24	90.3620.00	OR D. 37.82x1.78 NBR 70SH 2150 420	3
25	66.2212.70	Anello intermedio D. 31	420

W1570



* Fissare con Loctite 542 col. ROSSO

** Lubrificare con grasso al silicone OCILIS 250 cod.12001600

KIT RICAMBI - SPARE KITS

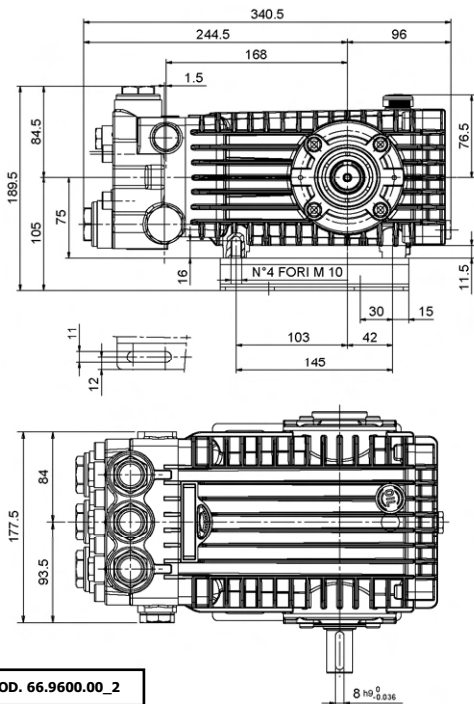
KIT Nr.	KIT 2468	KIT 2001	KIT 0002	KIT 0003	KIT 0419	KIT 0420
Posizioni incluse Positions included	2 - 3 - 4 - 5 6 - 7 - 8 (51)	2 - 3 - 9 - 10 11 - 12 - 13 (52)	39	41	25 - 26	22 - 23 - 24 25 - 26
Nr. Pcs.	3	3	3	1	3	1

POS	COD.	DESCRIZIONE - DESCRIPTION - KIT	NR
25	90.2779.80	Anello ten. alt. D. 31.0x40.0x10.0 HP 419 420	3
26	90.2779.00	Anello ten. alt. D. 31.0x37.0x5.0 LP 419 420	3
27	66.0100.22	Carter pompa	1
28	47.1510.22	Coperchio laterale aperto	1
29	99.3039.00	Vite M8x16 5931 8.8 Zinc.	8
30	66.0204.35	Albero ecc. C. 21.0 (marc. R)	1
31	91.4892.00	Linguetta 8x7x35 UNI6604/A	1
32	66.1600.22	Coperchio posteriore	1
33	98.2106.00	Asta livello olio G 3/8"x64 D. 4	1
34	66.0500.66	Guida per pistone	3
35	96.7101.00	Rosetta D. 10.0x28.0x0.5	3
36	66.0300.01	Biella completa	3
38	97.7405.00	Spinotto D. 14x39	3
39	90.1625.00	Anello rad. D. 22.0x32.0x5.0	2
40	91.8380.00	Cuscinetto rulli	2
41	90.1648.00	Anello rad. D. 30.0x55.0x7.0	3
42	99.1884.00	Vite M6x20 5931 8.8 Zinc.	4
43	98.2042.50	Tappo G 1/4"x9 TE17 Zinc.	1
44	90.9126.00	Boccola D. 22x25x30	3
45	90.3913.00	OR D. 67.95x2.62 NBR 70SH 3268	2
46	90.3922.00	OR D.133.02x2.62 NBR 70SH 3525	1
47	70.2118.01	Spia livello olio	1
48	47.1512.22	Coperchio laterale spia	1
49	90.3877.00	OR D. 39.34x2.62 NBR 70SH 3156	1
50	90.0756.00	Anello arresto zH5	1
51	36.7277.01	Gr. valvola aspirazione	2-468

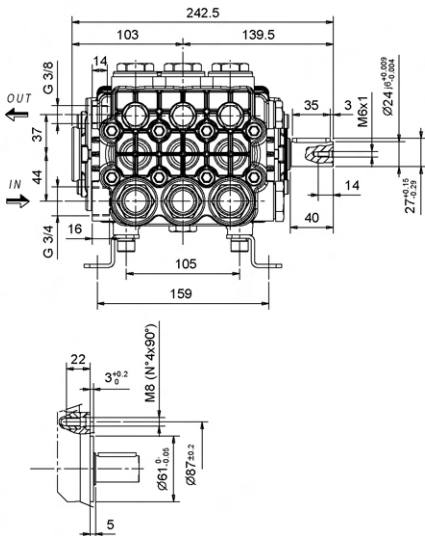
POS	COD.	DESCRIZIONE - DESCRIPTION - KIT	NR
1	66.1256.15	Testata pompa D. 31	1
2	90.5178.00	Anello antiest. D. 31.0x35.5x1.5 2001 2468	6
3	90.3865.00	OR D. 29.82x2.62 NBR 70SH 3118 2001 2468	6
4	36.2048.66	Sede valvola aspirazione	2468
5	36.2162.66	Valvola sferica aspirazione	2468
6	36.2161.51	Guida valvola interna aspirazione	2468
7	94.7447.00	Molla Dm. 15.9x24.3 INOX	2468
8	36.2160.05	Guida valvola aspirazione	2468
9	36.2038.66	Sede valvola mandata	2001
10	36.2099.56	Valvola sferica mandata	2001
11	36.2101.51	Guida valvola interna mandata	2001
12	94.7401.00	Molla Dm. 12.0x17.0 INOX	2001
13	36.2138.05	Guida valvola mandata	2001
14	66.2214.15	Coperchio valvole	2
15	99.3712.00	Vite M10x40 5931	12
16	99.3817.00	Vite M10x110 5931	8
17	90.3878.00	OR D. 39.34x2.62 NBR 90SH 3156	6
18	90.3585.00	OR D. 10.82x1.78 NBR 70SH 2043	2
19	66.0411.09	Pistone D. 31x54	3
20	90.3584.00	OR D. 10.82x1.78 NBR 90SH 2043	3
21	66.2195.66	Vite fissaggio pistone	3
22	66.0830.70	Anello di fondo D. 31	420
23	90.3620.00	OR D. 37.82x1.78 NBR 70SH 2150 420	3
24	66.2212.70	Anello intermedio D. 31	420

WG1570

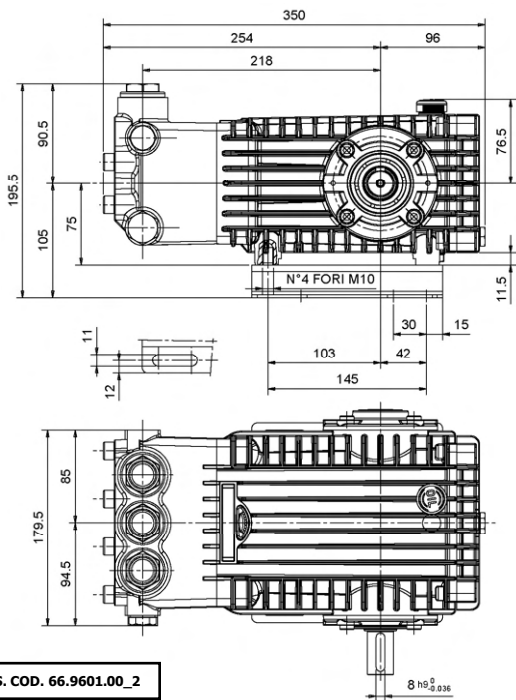
**DIMENSIONI D'INGOMBRO – OVERALL DIMENSIONS – DIMENSIONS D'ENCOMBREMENT
RAUMBEDARF – DIMENSIONES TOTALES – DIMENSÕES**



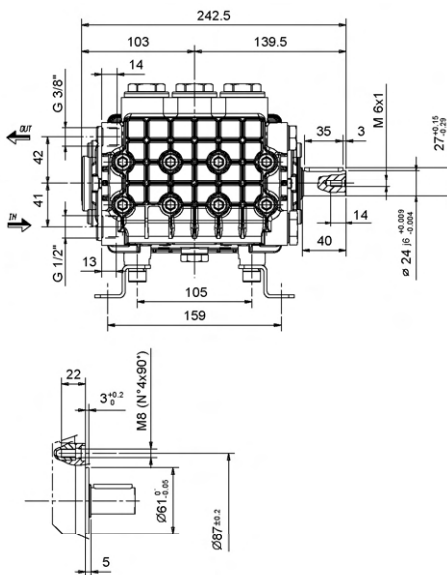
DIS. COD. 66.9600.00_2



LP – STD.

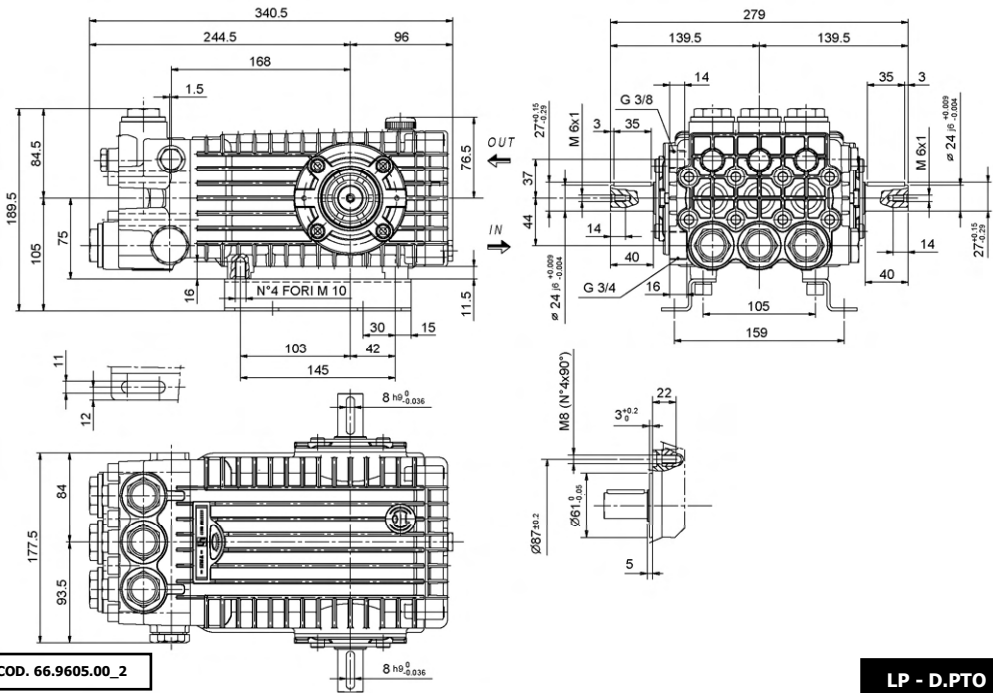


DIS. COD. 66.9601.00_2



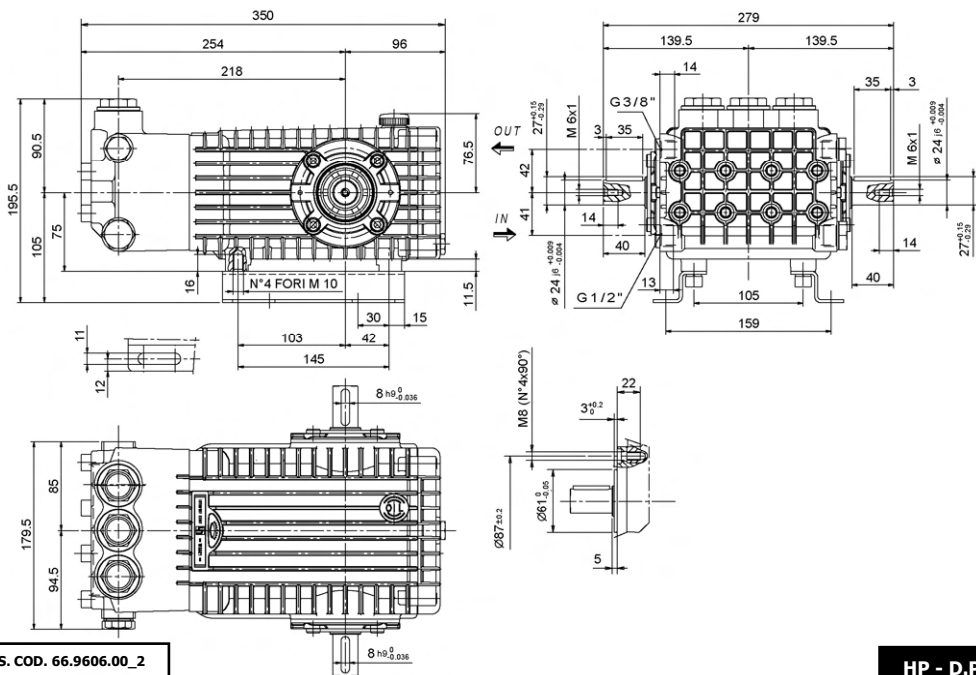
HP – STD.

Coppia max. trasmissibile dal 2° PTO – Max. torque from 2° PTO
Couple max. transmissible du 2° PTO - Drehmoment transmissible max. von 2° PTO
De par max. de transmissible de 2° PTO – Binário máx. de transmissível de 2° PTO
33 Nm (5 kW@1450 rpm – 6 kW@1750 rpm)



DIS. COD. 66.9605.00_2

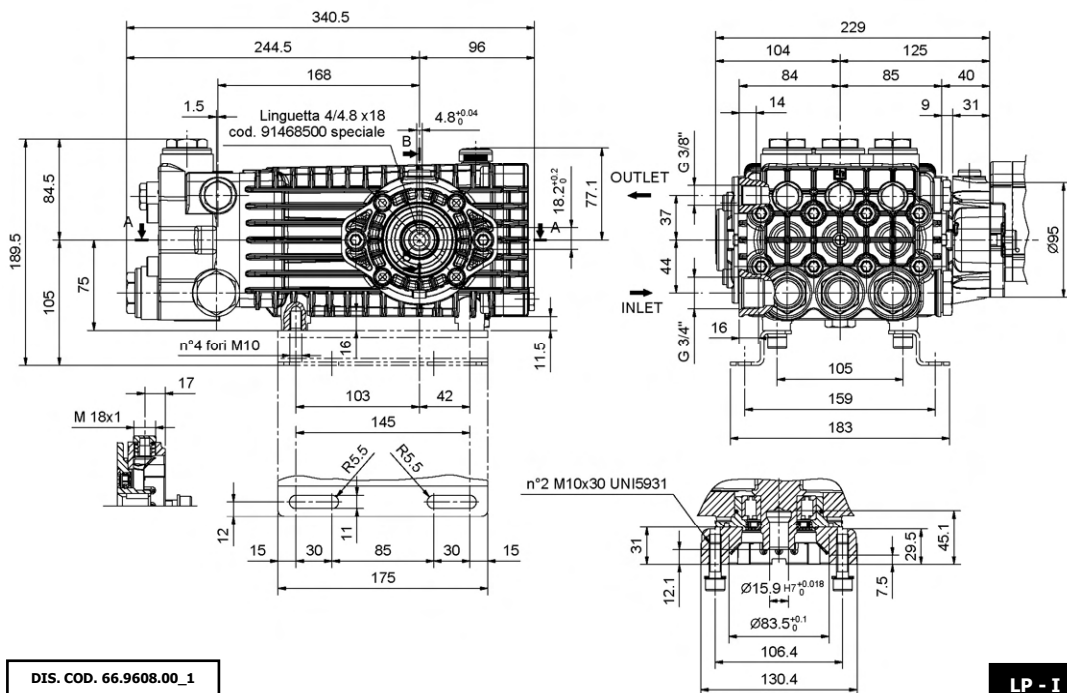
LP - D.PTO



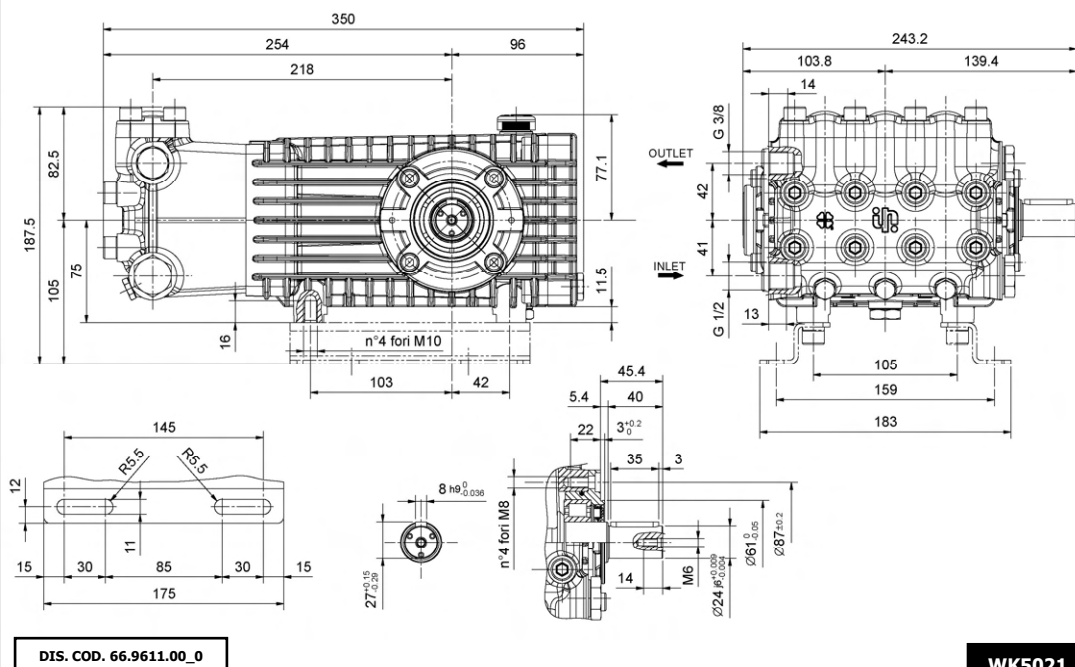
DIS. COD. 66.9606.00_2

HP - D.PTO

**DIMENSIONI D'INGOMBRO – OVERALL DIMENSIONS – DIMENSIONS D'ENCOMBREMENT
RAUMBEDARF – DIMENSIONES TOTALES – DIMENSÕES**

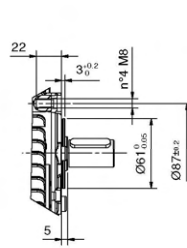
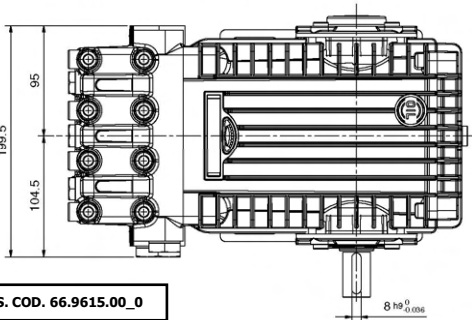
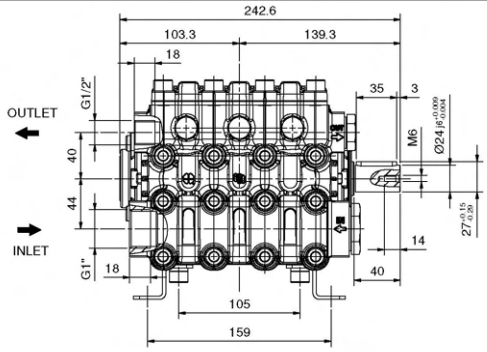
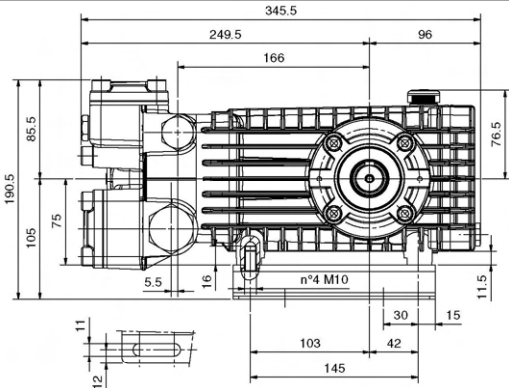


LP - I



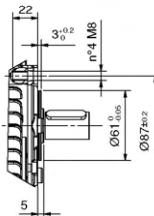
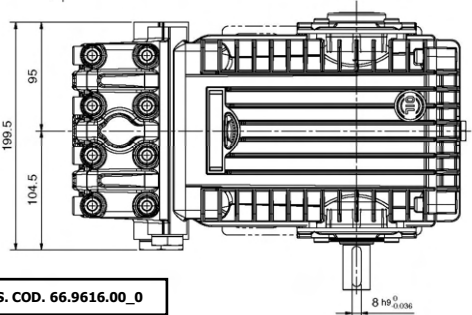
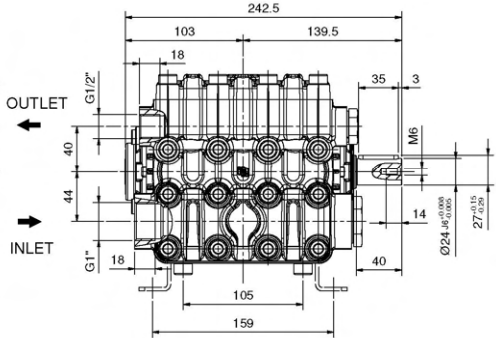
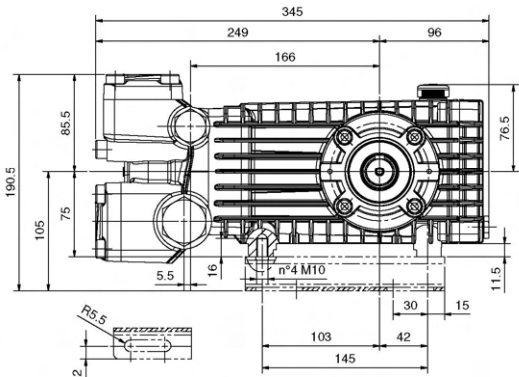
WK5021

**DIMENSIONI D'INGOMBRO – OVERALL DIMENSIONS – DIMENSIONS D'ENCOMBREMENT
RAUMBEDARF – DIMENSIONES TOTALES – DIMENSÕES**



DIS. COD. 66.9615.00_0

W1570

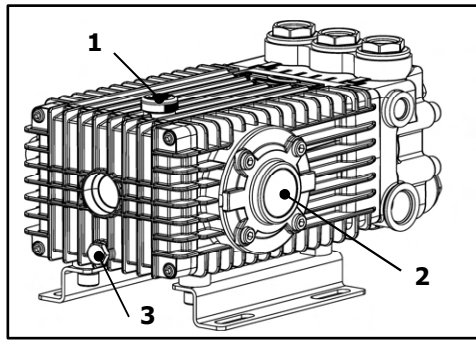


DIS. COD. 66.9616.00_0

WG1570

1 - CAMBIO OLIO

- 1.1 – Il cambio dell'olio va eseguito con pompa a temperatura di lavoro.
- 1.2 – Posizionare un recipiente sotto il tappo di scarico olio (3).
- 1.3 – Rimuovere il tappo con asta (1) e successivamente il tappo di scarico (3).
- 1.4 – Attendere fino a quando tutto l'olio è uscito, quindi riavvitare il tappo di scarico (3) con la coppia torcente indicata su disegno esploso.
- 1.5 – Riempire con olio nuovo fino al raggiungimento della mezzeria del tappo spia livello olio (2) e riavvitare il tappo con asta (1) .



Per il tipo di olio da utilizzare fare riferimento a quanto indicato sul libretto generico.



ATTENZIONE: L'olio esausto deve essere raccolto in recipienti e smaltito negli appositi centri in accordo alla normativa vigente. Non deve essere assolutamente disperso nell'ambiente.

1 – OIL CHANGING

- 1.1 – Oil changing must be done with the pump at operating temperature.
- 1.2 – Put a container under the oil drain plug (3).
- 1.3 – Remove the oil dipstick (1) and then the drain plug (3).
- 1.4 – Wait until all the oil has drained out, then screw the drain plug (3) and tighten at the torque shown in the exploded diagram.
- 1.5 – Fill with new oil until the middle of the oil level indicator (2) is reached, screw by hand the oil dipstick (1).

Refer to the generic booklet for the type of oil to use.



WARNING: The exhaust oil must be collected in receptacles and disposed of at authorised centres as specified by law. It must not be thrown away in the environment.

1 - CHANGEMENT DE L'HUILE

- 1.1 – Le changement de l'huile doit être exécuté avec la pompe à température d'exercice.
- 1.2 – Placer un récipient sous le bouchon de vidange de l'huile (3).
- 1.3 – Enlever le bouchon-jauge (1), puis enlever le bouchon de vidange (3).
- 1.4 – Attendre que toute l'huile soit sortie, puis revisser le bouchon de vidange (3) avec le couple de torsion qui est indiqué sur le dessin éclaté.
- 1.5 – Remplir avec de l'huile neuve jusqu'à la ligne médiane du bouchon indicateur du niveau d'huile (2), et revisser le bouchon-jauge (1).

Pour le type d'huile à utiliser, se référer à ce qui est indiqué sur la notice générale.



ATTENTION : L'huile usée doit être recueillie dans des récipients et éliminée dans les centres prévus à cet effet, conformément à la réglementation en vigueur. Il ne faut absolument pas la jeter dans l'environnement.

1 - ÖLWECHSEL

1.1 – Beim Ölwechsel muss die Pumpe Betriebstemperatur aufweisen.

1.2 – Unter den Ölablassverschluss (3) einen Behälter stellen.

1.3 – Den Verschluss mit dem Stab (1) und danach den Ablassverschluss (3) abnehmen.

1.4 – Warten, bis das gesamte Öl abgelassen ist und den Ablassverschluss (3) mit dem auf der Übersichtszeichnung angegebenen Drehmoment wieder anschrauben.

1.5 – Mit frischem Öl füllen, bis die Mittellinie des Ölstandkontrollverschlusses (2) erreicht ist und den Verschluss mit dem Stab (1) wieder anschrauben.

Bezüglich der verwendbaren Ölsorten siehe die Angaben im allgemeinen Handbuch.



ACHTUNG: Das Altöl muss in Behältern gesammelt und gemäß den geltenden Vorschriften bei den hierfür vorgesehenen Zentren entsorgt werden. Es darf keinesfalls umweltschädigend entsorgt werden.

1 - CAMBIO DE ACEITE

1.1 – El cambio de aceite se efectúa con bomba a temperatura de trabajo.

1.2 – Colocar un recipiente debajo del tapón de descarga de aceite (3).

1.3 – Extraer el tapón con varilla (1) y seguidamente el tapón de descarga (3).

1.4 – Esperar hasta que haya salido todo el aceite, volver a enroscar el tapón de descarga (3) con el par de torsión indicado en el despiece.

1.5 – Llenar con aceite nuevo hasta alcanzar la línea media del tapón indicador de nivel de aceite (2) y volver a enroscar el tapón con varilla (1).

Para el tipo de aceite que debe utilizarse, remitirse a las indicaciones del manual general.



ATENCIÓN: El aceite residual debe recogerse en recipientes y eliminarse en los centros pertinentes de acuerdo con la normativa vigente. En ningún caso debe dispersarse en el ambiente.

1 - TROCA DE ÓLEO

1.1 – A troca de óleo deve ser feita com a bomba na temperatura de trabalho.

1.2 – Posicionar um recipiente embaixo da tampa de descarga de óleo (3).

1.3 – Remover a tampa com o pino (1) e, em seguida, a tampa de descarga (3).

1.4 – Esperar que todo o óleo saia, recolocar a tampa de descarga (3) com o binário de torção indicado no desenho explodido.

1.5 – Encher com o óleo novo até chegar na linha da tampa de controle do nível do óleo (2) e recolocar a tampa com o pino (1).

Para o tipo de óleo a ser utilizado, consultar as indicações do livro genérico.



ATENÇÃO: O óleo consumido deve ser coletado em recipientes e eliminado nos locais adequados, de acordo com a normativa vigente. Não deve, de modo algum, ser jogado no ambiente.

DICHIARAZIONE DI INCORPORAZIONE

(Ai sensi dell'allegato II della Direttiva Europea 2006/42/CE)

Il produttore **INTERPUMP GROUP S.p.A. – Via E. Fermi, 25 – 42049 S. ILARIO D'ENZA (RE) – Italia** **DICHIARA** sotto la propria esclusiva responsabilità che il prodotto identificato e descritto come segue:

Denominazione:	Pompa
Tipo:	Pompa alternativa a pistoni per acqua ad alta pressione
Marchio di fabbrica:	INTERPUMP GROUP
Serie:	66
Modello:	W4015 W5015 W3018 W4018 W4518 W5018 W3021 W3521 WK5021 W3523 W2525 W3025 W2030 W2035 W2141 W1550 W1555 W4021 W1570 T5015 T4018 T5018 T3021 T3025 T2530 T2830 T2535 T2040 T1750 WG1570

Risulta essere conforme alla Direttiva Macchine 2006/42/CE.

Norme applicate: UNI EN ISO 12100:2010 - UNI EN 809:2009

La pompa sopra identificata rispetta i seguenti requisiti essenziali di sicurezza e di tutela della salute elencati nel punto 1 dell'allegato I della Direttiva Macchine:

1.1.1 - 1.1.2 - 1.1.3 - 1.1.5 - 1.1.6 - 1.3.1 - 1.3.2 - 1.3.3 - 1.3.4 - 1.5.4 - 1.6.1 - 1.7.1 - 1.7.2 - 1.7.4 - 1.7.4.1 - 1.7.4.2

e la relativa documentazione tecnica è stata compilata in conformità dell'allegato VII B.

Inoltre il produttore si impegna a rendere disponibile, a seguito di una richiesta adeguatamente motivata, copia della documentazione tecnica pertinente la pompa nei modi e nei termini da definire.

La pompa non deve essere messa in servizio finché l'impianto al quale la pompa deve essere incorporata è stato dichiarato conforme alle disposizioni delle relative direttive e/o norme.

Persona autorizzata a costituire il fascicolo tecnico

Nome: Roberto Menozzi

Indirizzo: INTERPUMP GROUP S.p.A. – Via E. Fermi,
25 – 42049 S. ILARIO D'ENZA (RE) – Italia

Persona autorizzata a redigere la dichiarazione:

Nome : Ing. Silvio Corrias

Reggio Emilia 08/2021

Firma:



DECLARATION OF INCORPORATION

(In accordance with Annex II of European Directive 2006/42/CE)

The manufacturer **INTERPUMP GROUP S.p.A. – Via E. Fermi, 25 – 42049 S. ILARIO D'ENZA (RE) – Italy** **DECLARES** under sole responsibility that the product identified and described as follows:

Name: Pump
Type: Reciprocating plunger pump for high pressure water
Trademark: INTERPUMP GROUP
Series: 66
Model: W4015 W5015 W3018 W4018 W4518 W5018 W3021 W3521 WK5021 W3523 W2525
W3025 W2030 W2035 W2141 W1550 W1555 W4021 W1570 WG1570 T5015 T4018
T5018 T3021 T3025 T2530 T2830 T2535 T2040 T1750

complies with Machinery Directive 2006/42/EC.

Standards applied: UNI EN ISO 12100:2010 - UNI EN 809:2009

The pump identified above meets all the essential safety and health protection requirements as listed in section 1 of Annex I of the Machinery Directive:
1.1.1 - 1.1.2 – 1.1.3 – 1.1.5 – 1.1.6 - 1.3.1 – 1.3.2 – 1.3.3 – 1.3.4 – 1.5.4 – 1.6.1 – 1.7.1 – 1.7.2 – 1.7.4 – 1.7.4.1 – 1.7.4.2
and the relevant technical documentation has been compiled in accordance with Annex VII B.

In addition, the manufacturer undertakes to make available, following a reasoned request, a copy of the relevant technical pump documentation in the manner and terms to be defined.

The pump should not be put into service until the plant to which the pump is to be incorporated has been declared in accordance with the provisions of the relevant directives and/or standards.

Person authorised to compile the technical file

Name: Roberto Menozzi

Address: INTERPUMP GROUP S.p.A. – Via E. Fermi,
25 – 42049 S. ILARIO D'ENZA (RE) – Italy

Person authorized to draw up the declaration:

Name : Mr. Silvio Corrias

Reggio Emilia 08/2021

Signature: 

DÉCLARATION D'INCORPORATION

(Conformément à l'annexe II de la Directive Européenne 2006/42/CE)

Le fabricant **INTERPUMP GROUP S.p.A. – Via E. Fermi, 25 – 42049 S. ILARIO D'ENZA (RE) – Italie**

DÉCLARE sous sa seule responsabilité que le produit identifié et décrit comme suit :

Dénomination : Pompe
Type : Pompe alternative à pistons pour eau à haute pression
Marque de fabrique : INTERPUMP GROUP
Séries : 66
Modèle : W4015 W5015 W3018 W4018 W4518 W5018 W3021 W3521 WK5021
W3523 W2525 W3025 W2030 W2035 W2141 W1550 W1555 W4021 W1570
WG1570 T5015 T4018 T5018 T3021 T3025 T2530 T2830 T2535 T2040 T1750

Est conforme à la Directive Machines 2006/42/CE.

Normes appliquées : UNI EN ISO 12100:2010 - UNI EN 809:2009

La pompe identifiée ci-dessus répond aux exigences essentielles de sécurité et protection de la santé suivantes énumérées au point 1 de l'annexe I de la Directive Machines :

1.1.1 - 1.1.2 – 1.1.3 – 1.1.5 – 1.1.6 - 1.3.1 – 1.3.2 – 1.3.3 – 1.3.4 – 1.5.4 – 1.6.1 – 1.7.1 – 1.7.2 – 1.7.4 – 1.7.4.1 – 1.7.4.2

et la documentation technique pertinente est constituée conformément à l'annexe VII B.

De plus, le fabricant s'engage à rendre disponible, suite à une demande adéquatement motivée, une copie de la documentation technique relative à la pompe dans les modes et les termes à définir.

La pompe ne doit pas être mise en marche tant que l'installation à laquelle la pompe doit être incorporée n'a pas été déclarée conforme aux dispositions des directives et / ou normes relatives.

Personne autorisée à réaliser le manuel technique

Nom : Roberto Menozzi

Adresse : INTERPUMP GROUP S.p.A. – Via E. Fermi,
25 – 42049 S. ILARIO D'ENZA (RE) – Italie

Personne autorisée à rédiger la déclaration :

Nom : Ing. Silvio Corrias

Reggio Emilia 08/2021

Signature :



EINBAUERKLÄRUNG

(gemäß Anhang II der Europäischen Richtlinie 2006/42/EG)

Der Hersteller **INTERPUMP GROUP S.p.A. – Via E. Fermi, 25 – 42049 S. ILARIO D'ENZA (RE) – Italien**

ERKLÄRT auf alleinige Verantwortung, dass das wie folgt bezeichnete und beschriebene Produkt:

Bezeichnung: Pumpe
Typ: Kolbenhubpumpe für Hochdruckwasser
Herstellermarke: INTERPUMP GROUP
Serie: 66
Modell: W4015 W5015 W3018 W4018 W4518 W5018 W3021 W3521 WK5021
W3523 W2525 W3025 W2030 W2035 W2141 W1550 W1555 W4021 W1570
WG1570 T5015 T4018 T5018 T3021 T3025 T2530 T2830 T2535 T2040 T1750

mit der Maschinenrichtlinie 2006/42/EG konform ist.

Angewandte Normen: UNI EN ISO 12100:2010 - UNI EN 809:2009

Die oben genannte Pumpe genügt den folgenden grundlegenden Sicherheits- und Gesundheitsschutzanforderungen, die unter Punkt 1 des Anhangs I der Maschinenrichtlinie aufgeführt sind: 1.1.1 - 1.1.2 – 1.1.3 – 1.1.5 – 1.1.6 - 1.3.1 – 1.3.2 – 1.3.3 – 1.3.4 – 1.5.4 – 1.6.1 – 1.7.1 – 1.7.2 – 1.7.4 – 1.7.4.1 – 1.7.4.2

Die speziellen technischen Unterlagen wurden gemäß Anhang VII Teil B erstellt.

Darüber hinaus verpflichtet sich der Hersteller einzelstaatlichen Stellen auf begründetes Verlangen die speziellen technischen Unterlagen zur Pumpe in festzulegenden Modalitäten und Fristen zu übermitteln.

Die Pumpe darf erst dann in Betrieb genommen werden, wenn gegebenenfalls festgestellt wurde, dass die Maschine, in die die Pumpe eingebaut werden soll, den Bestimmungen der entsprechenden Richtlinien und/oder Normen entspricht.

Person, die bevollmächtigt ist, die relevanten technischen Unterlagen zusammenzustellen: Roberto Menozzi

Adresse: INTERPUMP GROUP S.p.A. – Via E. Fermi,
25 – 42049 S. ILARIO D'ENZA (RE) – Italien

Person, die zur Ausstellung dieser Erklärung bevollmächtigt ist: Ing. Silvio Corrias

Reggio Emilia 08/2021

Unterschrift:



DECLARACIÓN DE INCORPORACIÓN

(De acuerdo con el anexo II de la Directiva Europea 2006/42/CE)

El fabricante **INTERPUMP GROUP S.p.A. – Via E. Fermi, 25 – 42049 S. ILARIO D'ENZA (RE) – Italia**
DECLARA bajo su propia y exclusiva responsabilidad al producto identificado y descrito del siguiente modo:

Denominación: Bomba
Tipo: Bomba alternativa con pistones para agua de alta presión
Marca del fabricante: INTERPUMP GROUP
Serie: 66
Modelo: W4015 W5015 W3018 W4018 W4518 W5018 W3021 W3521 WK5021
W3523 W2525 W3025 W2030 W2035 W2141 W1550 W1555 W4021 W1570
WG1570 T5015 T4018 T5018 T3021 T3025 T2530 T2830 T2535 T2040 T1750

Resulta estar conforme con la Directiva de Máquinas 2006/42/CE.

Normas aplicadas: UNI EN ISO 12100:2010 - UNI EN 809:2009

La bomba identificada anteriormente respeta los siguientes requisitos esenciales de seguridad y de protección de la salud citados en el punto 1 del anexo I de la Directiva de Máquina:

1.1.1 - 1.1.2 – 1.1.3 – 1.1.5 – 1.1.6 - 1.3.1 – 1.3.2 – 1.3.3 – 1.3.4 – 1.5.4 – 1.6.1 – 1.7.1 – 1.7.2 – 1.7.4 – 1.7.4.1 – 1.7.4.2

y la correspondiente documentación técnica ha sido compilada de acuerdo con el anexo VII B.

Además el fabricante se compromete en hacer disponible, después haberse llevado a cabo una solicitud adecuadamente motivada, una copia de la documentación técnica pertinente de la bomba en una modalidad y en un plazo aún por definir.

La bomba no debe ser puesta en funcionamiento, hasta que el sistema al cuál la bomba debe ser incorporada, haya sido declarado conforme a las disposiciones de las respectivas directivas y/o normativas.

Persona autorizada a realizar el fascículo técnico

Nombre: Roberto Menozzi

Dirección: INTERPUMP GROUP S.p.A. – Via E. Fermi,
25 – 42049 S. ILARIO D'ENZA (RE) – Italia

Persona autorizada a redactar la declaración:

Nombre : Ing. Silvio Corrias

Reggio Emilia 08/2021

Firma:



DECLARAÇÃO DE INCORPORAÇÃO

(Nos termos do anexo II da Directiva Europeia 2006/42/CE)

O fabricante **INTERPUMP GROUP S.p.A. – Via E. Fermi, 25 – 42049 S. ILARIO D'ENZA (RE) – Itália** **DECLARA** sob a sua exclusiva responsabilidade que o produto identificado e descrito tal como se segue:

Denominação: Bomba
Tipo: Bomba alternativa com pistões para água a alta pressão
Marca de fábrica: INTERPUMP GROUP
Series: 66
Modelo: W4015 W5015 W3018 W4018 W4518 W5018 W3021 W3521 WK5021
W3523 W2525 W3025 W2030 W2035 W2141 W1550 W1555 W4021 W1570
WG1570 T5015 T4018 T5018 T3021 T3025 T2530 T2830 T2535 T2040 T1750

Está em conformidade com a Directiva Máquinas 2006/42/CE.

Normas aplicadas: UNI EN ISO 12100:2010 - UNI EN 809:2009

A bomba acima identificada respeita os seguintes requisitos essenciais de segurança e de tutela da saúde, referidos no ponto 1 do anexo I da Directiva Máquinas:

1.1.1 - 1.1.2 – 1.1.3 – 1.1.5 – 1.1.6 - 1.3.1 – 1.3.2 – 1.3.3 – 1.3.4 – 1.5.4 – 1.6.1 – 1.7.1 – 1.7.2 – 1.7.4 – 1.7.4.1 – 1.7.4.2

e a respectiva documentação técnica foi compilada em conformidade com o anexo VII B.

Além disso, o fabricante compromete-se a disponibilizar, mediante pedido adequadamente motivado, uma cópia da documentação técnica referente à bomba, em modos e termos a definir.

A bomba não deve ser colocada em funcionamento até que o sistema no qual tem de ser incorporada seja declarado em conformidade com as disposições das respectivas directivas e/ou normas.

Pessoa autorizada a compilar a documentação técnica Nome: Roberto Menozzi

Morada: INTERPUMP GROUP S.p.A. – Via E. Fermi,
25 – 42049 S. ILARIO D'ENZA (RE) – Itália

Pessoa autorizada a redigir a declaração: Nome : Eng.º Silvio Corrias

Reggio Emilia 08/2021

Assinatura: 

COPYRIGHT Il contenuto di questo libretto è di proprietà di INTERPUMP GROUP, ne è vietata la riproduzione e/o la divulgazione, anche parziale, a termini di legge.

COPYRIGHT The contents of this booklet are the property of INTERPUMP GROUP. Reproduction and divulgation, in whole or in part, are prohibited by law.

COPYRIGHT Le contenu de cette notice appartient à INTERPUMP GROUP : aux termes de la loi il est interdit de le reproduire et/ou de le divulguer, même partiellement.

COPYRIGHT Der Inhalt dieser Bedienungsanleitung ist Eigentum von INTERPUMP GROUP. Die auch nur teilweise Reproduktion und/oder Verbreitung ist gesetzlich verboten.

COPYRIGHT El contenido del presente manual es propiedad de INTERPUMP GROUP y está legalmente prohibida su reproducción y/o divulgación parcial o total.

COPYRIGHT O conteúdo deste livro é de propriedade da INTERPUMP GROUP, e é proibida a sua reprodução e/ou a sua divulgação, mesmo parcial, nos termos da lei.

Le informazioni presenti su questo documento possono essere variate senza preavviso.

The information contained in this document may change without notice.

Les informations présentes sur ce document peuvent être changées sans besoin de préavis.

Die in diesem Dokument enthaltenen Informationen können ohne Vorankündigung geändert werden.

La información contenida en el presente documento puede modificarse sin previo aviso.

As informações contidas neste documento poderão ser sujeitas a alterações sem aviso prévio.



**INTERPUMP
GROUP**

**AZIENDA CON SISTEMA
DI GESTIONE QUALITÀ
CERTIFICATO DA DNV
= ISO 9001 =**

VIA FERMI, 25 42049 S.ILARIO – REGGIO EMILIA (ITALY)
TEL.+39 – 0522 - 904311 TELEFAX +39 – 0522 – 904444
E-mail: info@interpumpgroup.it - <http://www.interpumpgroup.it>