

HHP

Caratteristiche Tecniche

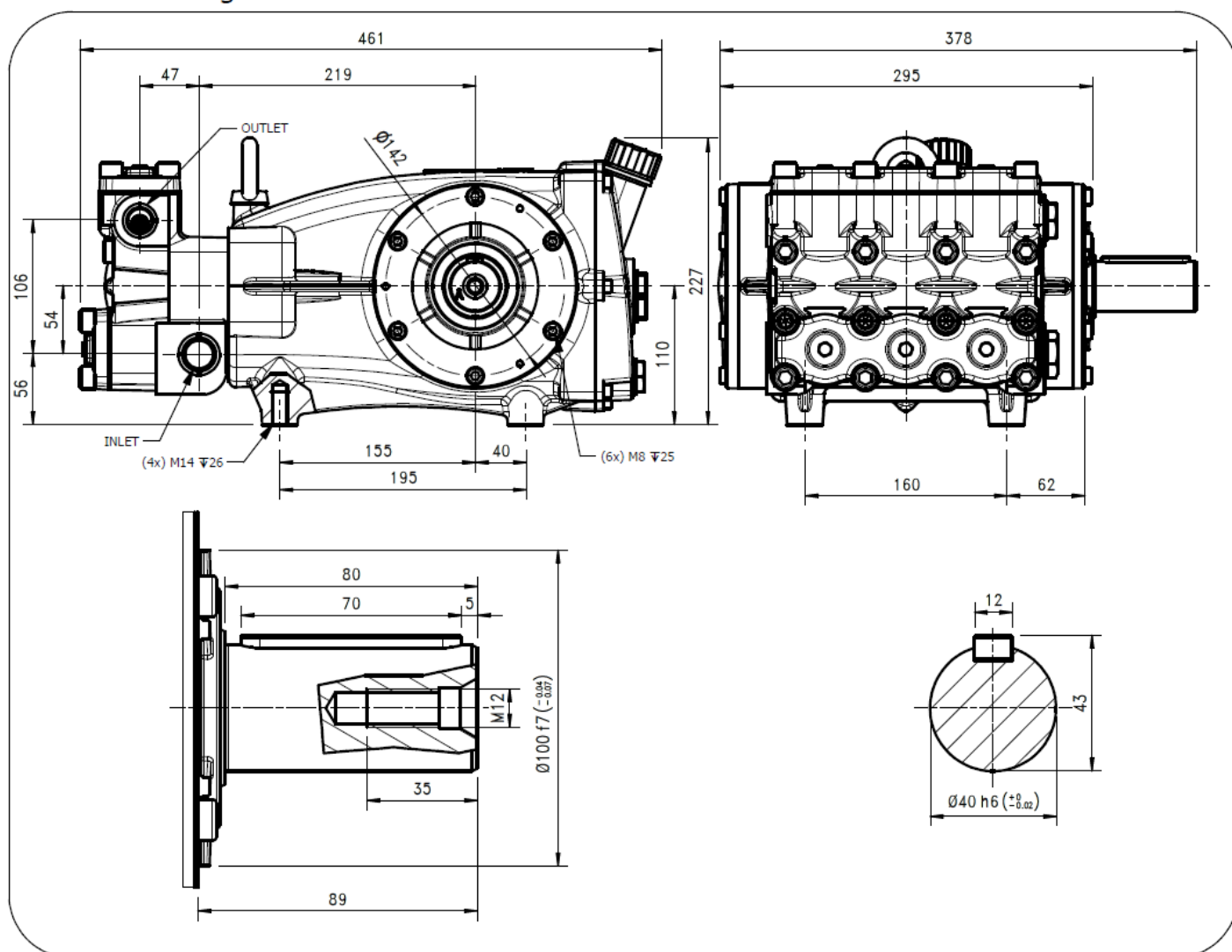
Albero maschio – Solid shaft

Technical Characteristics

Pump Pompa	Pressure Pressione		Volume Portata		RPM giri/min	Power Potenza	
			l/min	GPM		HP	kW
	bar	PSI	50 Hz	50 Hz	50 Hz	50 Hz	50 Hz
HHP25S	500	7250	25	6.6	1000	32.6	24.0
HHP30S	500	7250	30	7.9	1000	38.5	28.3

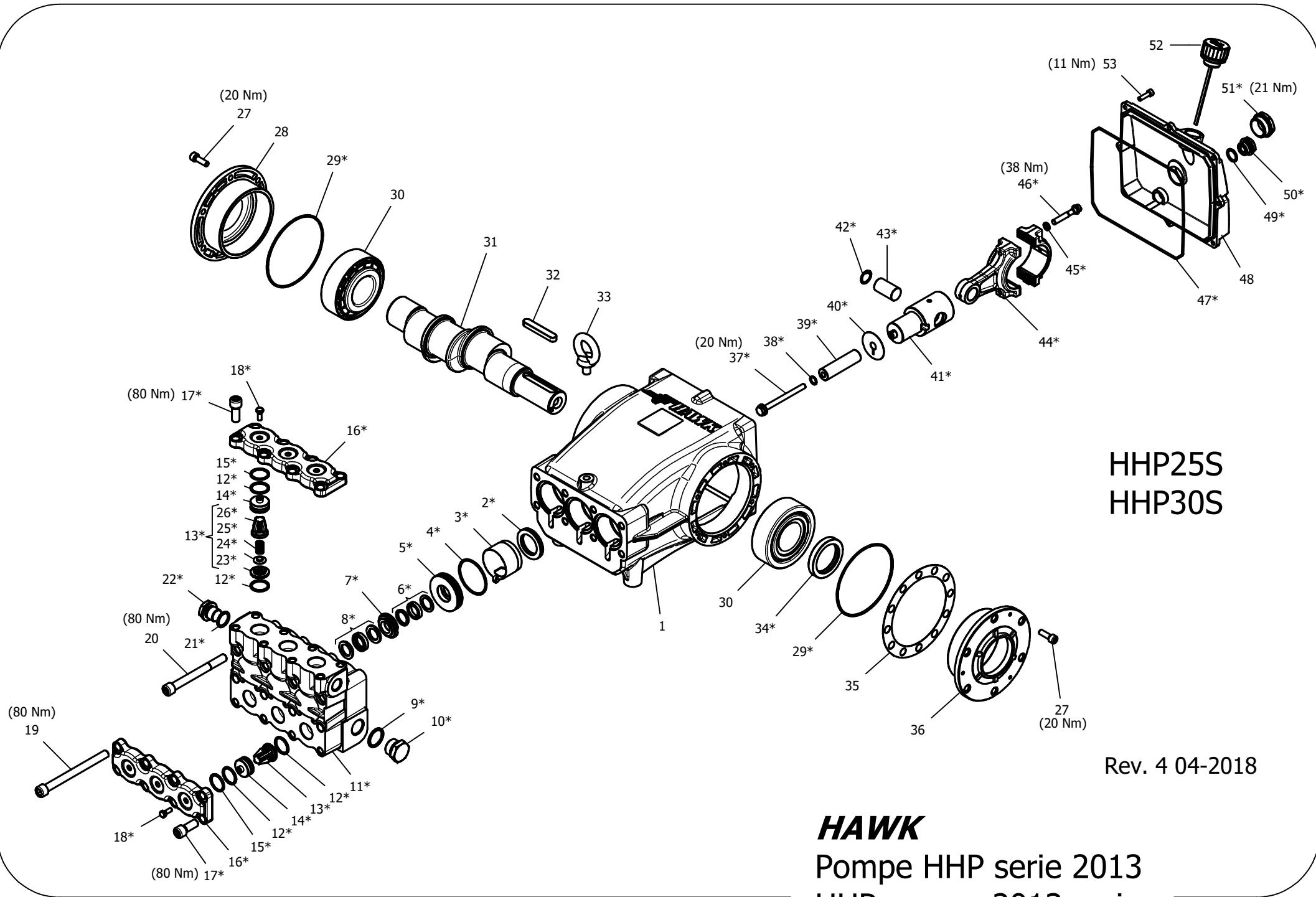
Dimensioni d'ingombro

Overall dimensions



Lubrificazione: Olio SAE 10W40
Capacità: 3.5 Litri
Peso pompa: 51 kg

Lubrication: SAE 10W40 Oil
Capacity: 3.5 Litres
Weight: 51 kg



HAWK
 Pompe HHP serie 2013
 HHP pumps 2013 series

HHP 2013 SERIES

ORDINARY MAINTENANCE KIT / KIT MANUTENZIONE ORDINARIA

KIT	Item Pos.	Part Number Codice	Description	Descrizione	Q.TY by Pump Q.TA per Pompa	HHP25SR/L	HHP30SR/L
A	4- 6- 8	1.099-821.0	PLUNGER SEALS DIA. 20 mm	GUARNIZIONI PISTONE Ø20	1		
B	12- 13 (23- 24 25- 26) 15	1.905-713.0	COMPLETE VALVE	VALVOLA COMPLETA	1	•	•

EXTRAORDINARY MAINTENANCE KIT / KIT MANUTENZIONE STRAORDINARIA

KIT	Item Pos.	Part Number Codice	Description	Descrizione	Q.TY by Pump Q.TA per Pompa	HHP25SR/L	HHP30SR/L
C	4- 5- 6- 7- 8	1.905-714.0	COMPLETE SEALS PACKING DIA. 20 mm	PACCO COMPLETO GUARNIZIONI PISTONE Ø20	1		
D	37- 38- 39- 40	1.099-823.0	PLUNGER DIA. 20 mm	PISTONE Ø20	3		
E	3x (2- 3)	1.099-817.0	PLUNGER OIL SEALS	ANELLI TENUTA OLIO ASTA	1		
F	29- 34- 47- 49- 50 51- 52	1.905-706.0	KIT CRANKCASE SEALS	KIT TENUTE CARTER	1	•	•
G	4- 5- 6- 7- 8- 9- 10 11- 12- 13 (23- 24 25- 26) 14- 15- 16 17- 18- 19- 20- 21- 22	1.099-829.0	COMPLETE MANIFOLD	TESTATA COMPLETA	1		
H	37- 38- 40- 41- 42 43- 44- 45- 46	1.905-707.0	CONNECTING ROD PLUNGER ROD ASSY	PREMONTATO ASTA-BIELLA PISTONE	3		

“Q.TY by Pump” => Necessary quantity to repair one pump
 “Q.TA’ per Pompa” => Quantità necessaria per riparare una pompa

TOOL KIT

Part Number Codice	Description	Descrizione	Q.TY by Pump Q.TA per Pompa	SYSTEM CERTIFICATION	
				ISO 9001	ISO 14001
1.904-204.0	TOOL-KIT	TOOL-KIT	1	•	•



IMPORTANT

IMPORTANTE

* **Part available ONLY in kit**
Disponibile SOLO in kit

(...) **Parts pre-assembled**
Parti pre-assemblate

PARTS LIST LISTA PARTI

Item Pos	Part Number Codice	Description	Descrizione	KIT	Q.TY Q.TA	HHP25SR/L	HHP30SR/L
1	9.851-902.0	CRANKCASE	CARTER		1		
2*		PLUNGER OIL SEAL	ANELLO RADIALE	E	3		
3*		PLASTIC BUSHING	BOCCOLA CORTECO ASTE	E	3		
4*		"O" RING Ø2.62X56,82	"O" RING Ø2.62X56,82	A-C-G	3		
5*		PRESSURE RING 20 MM	PRESSORE "U" Ø20	C-G	3		
6*		"U" SEAL, Ø20X28 MM	ANELLO TENUTA "U" Ø20x28	A-C-G	3		
7*		INTERMED. RING 20MM	DIFFUSORE INTER. Ø20	C-G	3		
8*		"U" SEAL, Ø20X30 MM	ANELLO TENUTA "U" Ø20x30	A-C-G	3		
9*		COPPER WASHER	GUARNIZIONE RAME G 3/4	G	1		
10*		STAINLESS STEEL PLUG G 3/4	TAPPO G ¾ INOX	G	1		
11*		MANIFOLD HOUSING	TESTATA	G	1		
12*		"O" RING Ø2.62X22,22	"O" RING Ø2.62X22,22	B-G	12		
13*		VALVE ASSEMBLY	VALVOLA PREMONTATA	B-G	6		
14*		VALVE PLUG	TAPPO VALVOLA	G	6		
15*		BACK RING	ANELLO ANTIESTRUSIONE	G	6		
16*		VALVES COVER	COPERCHIO VAM	G	2		
17*		VALVE COVER SCREW	VITE TCEI M12X30 UNI 5931	G	12		
18*		VALVE PLUG SCREW	VITE TE M6X16 UNI 5739	G	6		
19	9.851-471.0	MANIFOLD STUD BOLT	VITE TCEI M12X140 UNI 5931		4		
20	9.851-472.0	MANIFOLD STUD BOLT	VITE TCEI M12X120 UNI 5931		4		
21*		COPPER WASHER	GUARNIZIONE RAME G 1/2	G	1		
22*		STAINLESS STEEL PLUG G1/2	TAPPO G1/2 INOX	G	1		
23*		VALVE SEAT	SEDE VALVOLA	B-G	6		
24*		VALVE PLATE	PIATTELLO VALVOLA	B-G	6		
25*		VALVE SPRING	MOLLA VALVOLA	B-G	6		
26*		VALVE CAGE	GABBIA VALVOLA	B-G	6		
27	9.851-468.0	BEARING HOUSING SCREW	VITE TCEI M8X25 UNI 5931		12		
28	9.850-646.0	CLOSED BEARING SCREW	FLANGIA CHIUSA		1		
29*		"O" RING Ø2.62X120.32	"O" RING Ø2.62X120.32	F	2		
30	9.850-353.0	ROLLER BEARING	CUSCINETTO 32310 RULLI CONICI		2		
31	9.850-185.0	" " "	" " "		1		
	9.850-186.0	" " "	" " "		1		
32	9.850-449.0	CRANKSHAFT KET	CHIAVETTA		1		
33	9.851-454.0	EYEBOLT	GOLFARE M12		1		
34*		CRANKSHAFT SEAL	ANELLO RADIALE	F	1		
35	9.850-549.0	SHIM	DISTANZIALE		1		
36	9.850-645.0	BEARING HOUSING	FLANGIA APERTA		1		
37*		PLUNGER BOLT	VITE PISTONE	D-H	3		
38*		"O" RING Ø1.78X11.11	"O" RING Ø1.78X11.11	D-H	3		

Item Pos	Part Number Codice	Description	Descrizione	KIT	Q.TY Q.TÀ	HHP25SR/L	HHP30SR/L
39*		PLUNGER DIA. 20	PISTONE Ø20	D	3		
40*		COPPER SPACER	ROSETTA RAME PISTONE	D	3		
41*		PLUNGER ROD	ASTA PISTONE	H	3		
42*		SNAP RING	ANELLO Ø22	H	6		
43*		CONNECTING ROD PIN	SPINOTTO	H	3		
44*		CONNECTING ROD	BIELLA	H	3		
45*		SPRING WASHER	ROSETTA ELASTICA Ø8	H	6		
46*		CONNECTING ROD SCREW	VITE BIELLA	H	6		
47*		"O" RING Ø2.62X209.23	"O" RING Ø2.62X209.23	F	1		
48	9.850-386.0	CRANKCASE COVER	COPERCHIO CARTER		1		
49*		"O" RING Ø2.62X17.13	"O" RING Ø2.62X17.13	F	1		
50*		BRASS PLUG G 1/2	TAPPO OTTONE G 1/2	F	1		
51*		SIGHT GLASS, G 1"	SPIA LIVELLO OLIO G1"	F	1		
52*		OIL DIP STICK G ¾	TAPPO SFIATO OLIO G 3/4	F	1		
53	9.851-480.0	COVER SCREW	VITE COPERCHIO		5		